

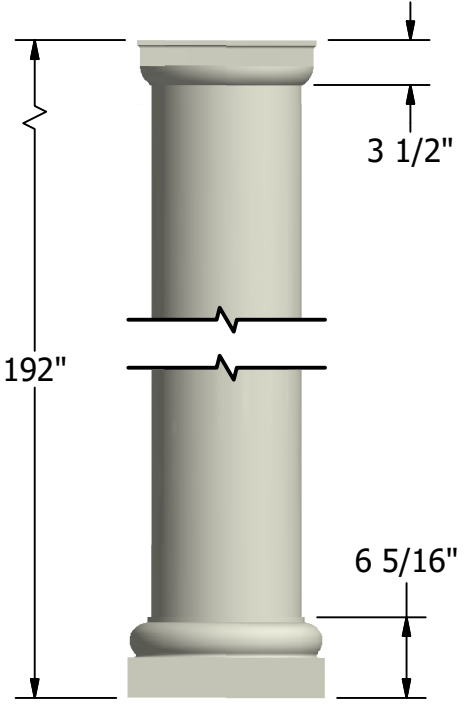
2

1

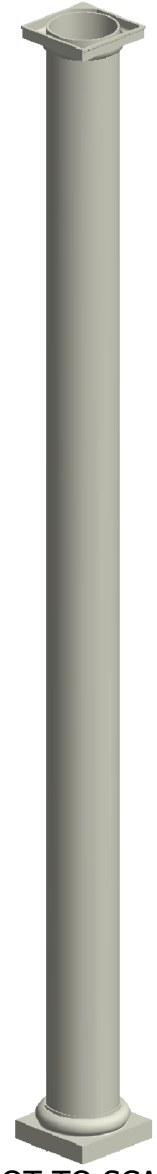


- NOTES:**
1. MATERIAL: FIBERGLASS REINFORCED POLYMER (FRP)
  2. WEIGHT: COLUMN: 220 Lbs.  
CAP: 12 Lbs.  
BASE: 16.5 Lbs.
  3. MATERIAL THICKNESS.  
COLUMN: 3/8"
  4. INSIDE DIAMETER AT TOP OF COLUMN: 10 7/8"
  5. OUTSIDE DIAMETER AT TOP OF COLUMN: 11 5/8"
  6. INSIDE DIAMETER AT BOTTOM OF COLUMN: 10 7/8"
  7. OUTSIDE DIAMETER AT BOTTOM OF COLUMN: 11 5/8"
  8. MAXIMUM LOAD BEARING WEIGHT: 18000 Lbs.

B



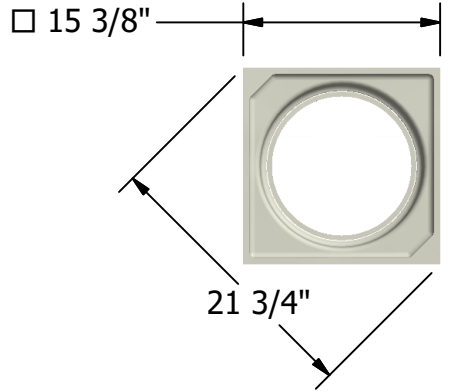
B



NOT TO SCALE



A



A

First Class Building Products -bW  
3600 Dallas Highway Suite 230-387  
Marietta, GA 30064  
Tel: 770-514-8141  
Email: firstclassbp@gmail.com  
www.firstclassbp.com

DRAWN Bryan Daniels	5/13/2016
CHECKED	
QA	
DIMENSIONS ARE IN INCHES	
TOLERANCE: ± 1/4"	

**FIRST CLASS**  
BUILDING PRODUCTS, INC.

TITLE Tuscan Round, Non-Tapered 12" x 16'		
SIZE A	DWG NO NTSM1216	REV 03

SCALE 1:15	SHEET 1 OF 1	
---------------	--------------	--

2



1