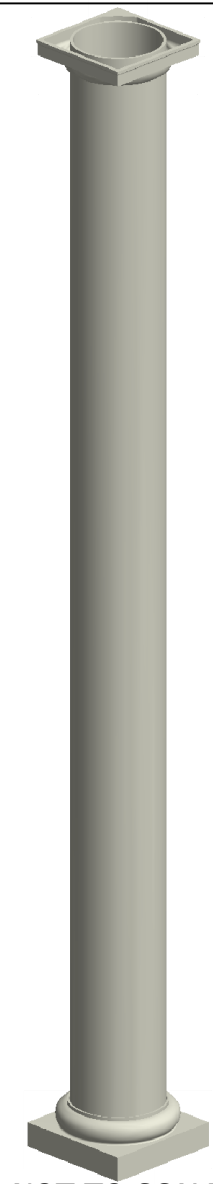
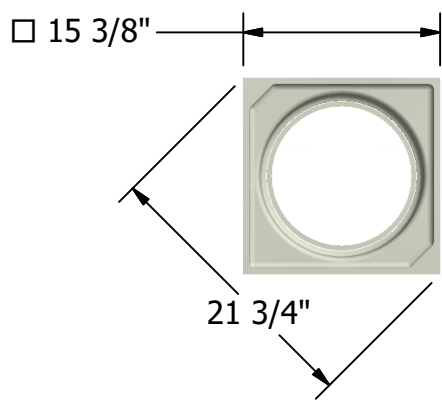
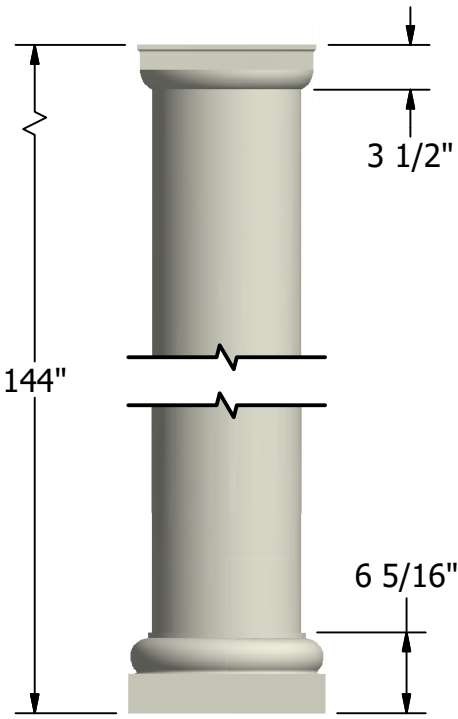
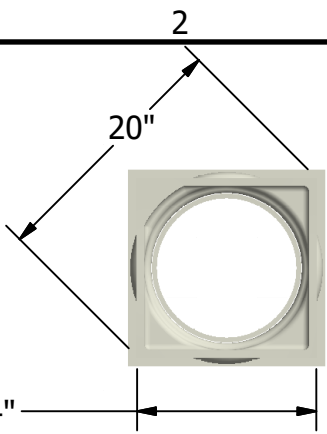


NOTES:

1. MATERIAL: FIBERGLASS REINFORCED POLYMER (FRP)
2. WEIGHT: COLUMN: 141 Lbs.
CAP: 12 Lbs.
BASE: 16.5 Lbs.
3. MATERIAL THICKNESS.
COLUMN: 3/8"
4. INSIDE DIAMETER AT TOP OF COLUMN: 10 7/8"
5. OUTSIDE DIAMETER AT TOP OF COLUMN: 11 5/8"
6. INSIDE DIAMETER AT BOTTOM OF COLUMN: 10 7/8"
7. OUTSIDE DIAMETER AT BOTTOM OF COLUMN: 11 5/8"
8. MAXIMUM LOAD BEARING WEIGHT: 18000 Lbs.



NOT TO SCALE

DRAWN Bryan Daniels	5/13/2016
CHECKED	
QA	
DIMENSIONS ARE IN INCHES	
TOLERANCE: ± 1/4"	

FIRST CLASS
BUILDING PRODUCTS, INC.

TITLE Tuscan Round, Non-Tapered 12" x 12'		
SIZE A	DWG NO NTSM1212	REV 03

First Class Building Products -bW
3600 Dallas Highway Suite 230-387
Marietta, GA 30064
Tel: 770-514-8141
Email: firstclassbp@gmail.com
www.firstclassbp.com

SCALE 1:15	SHEET 1 OF 1
---------------	--------------

2

1