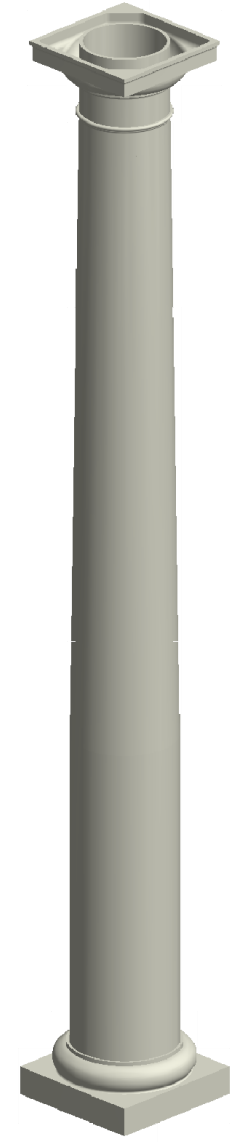
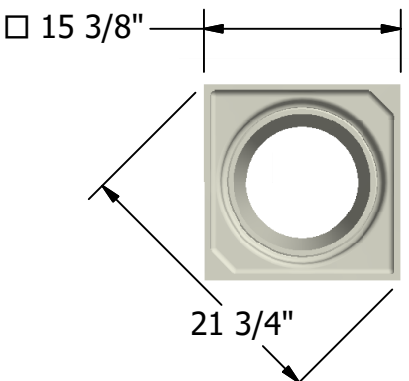
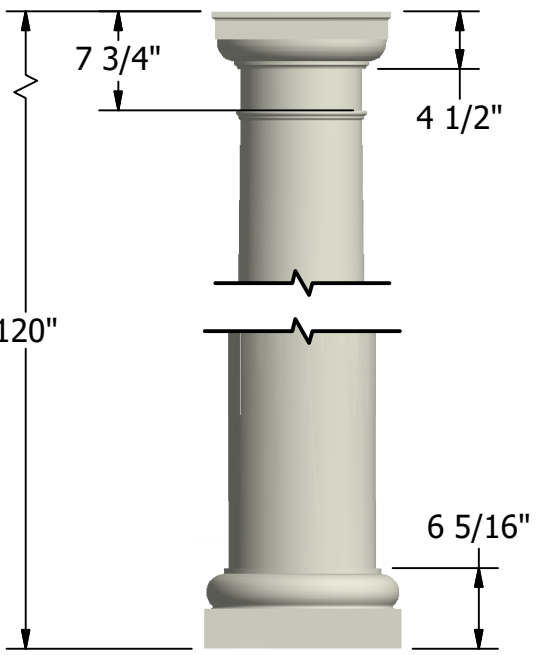
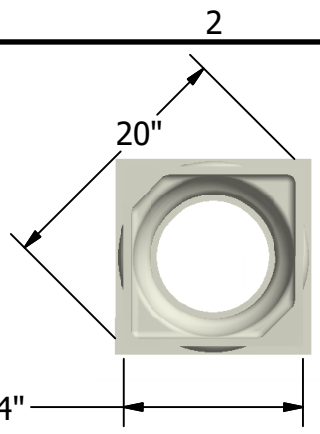


2

1



- NOTES:**
1. MATERIAL: FIBERGLASS REINFORCED POLYMER (FRP)
 2. WEIGHT: COLUMN: 115 Lbs.
CAP: 7.5 Lbs.
BASE: 16.5 Lbs.
 3. MATERIAL THICKNESS.
COLUMN: 3/8"
 4. INSIDE DIAMETER AT TOP OF COLUMN: 8 3/4"
 5. OUTSIDE DIAMETER AT TOP OF COLUMN: 9 1/2"
 6. INSIDE DIAMETER AT BOTTOM OF COLUMN: 10 3/4"
 7. OUTSIDE DIAMETER AT BOTTOM OF COLUMN: 11 1/2"
 8. TAPER STARTS FROM BOTTOM OF COLUMN: 41"
 9. MAXIMUM LOAD BEARING WEIGHT: 18000 Lbs.



NOT TO SCALE

DRAWN Bryan Daniels	5/11/2016
CHECKED	
QA	
MFG	
APPROVED	
DIMENSIONS ARE IN INCHES	
TOLERANCE: ± 1/4"	

FIRST CLASS
BUILDING PRODUCTS, INC.

TITLE Tuscan Round, Smooth 12" x 10'		
SIZE A	DWG NO SM1210	REV 03

First Class Building Products -bW
3600 Dallas Highway Suite 230-387
Marietta, GA 30064
Tel: 770-514-8141
Email: firstclassbp@gmail.com
www.firstclassbp.com

SCALE 1:15	SHEET 1 OF 1
---------------	--------------

2

1

