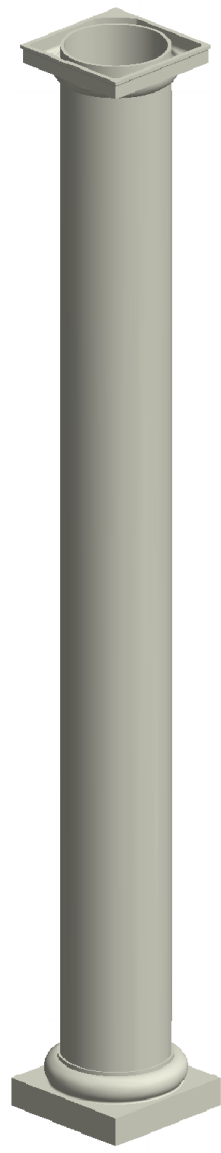
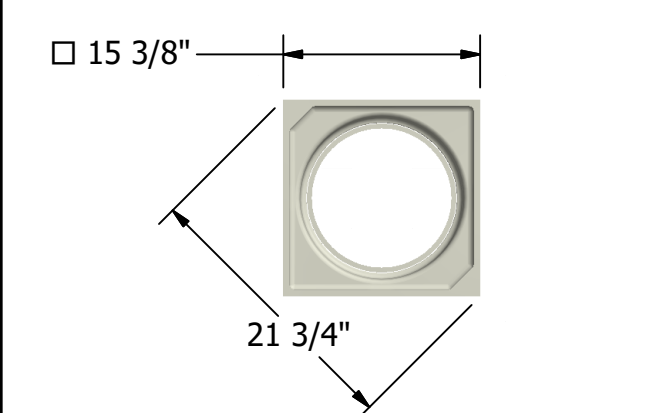
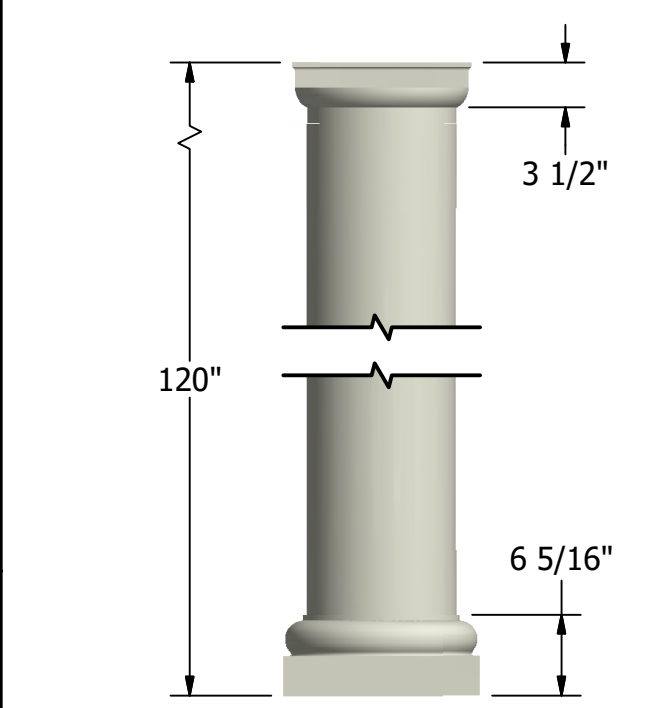


- NOTES:**
1. MATERIAL: FIBERGLASS REINFORCED POLYMER (FRP)
 2. WEIGHT: COLUMN: 115 Lbs.
CAP: 12 Lbs.
BASE: 16.5 Lbs.
 3. MATERIAL THICKNESS.
COLUMN: 3/8"
 4. INSIDE DIAMETER AT TOP OF COLUMN: 10 7/8"
 5. OUTSIDE DIAMETER AT TOP OF COLUMN: 11 5/8"
 6. INSIDE DIAMETER AT BOTTOM OF COLUMN: 10 7/8"
 7. OUTSIDE DIAMETER AT BOTTOM OF COLUMN: 11 5/8"
 8. MAXIMUM LOAD BEARING WEIGHT: 18000 Lbs.



First Class Building Products, Inc.
3600 Dallas Highway Suite
230-387
Marietta, GA 30064
Tel: 770-514-8141
Email: firstclassbp@gmail.com
www.firstclassbp.com

DRAWN Bryan Daniels	5/13/2016
CHECKED	
QA	
DIMENSIONS ARE IN INCHES TOLERANCE: ± 1/4"	

TITLE Tuscan Round, Non-Tapered 12" x 10'			
SIZE A	DWG NO NTSM1210	REV 03	
SCALE 1:15	SHEET 1 OF 1		

B
A

B
A

2

1