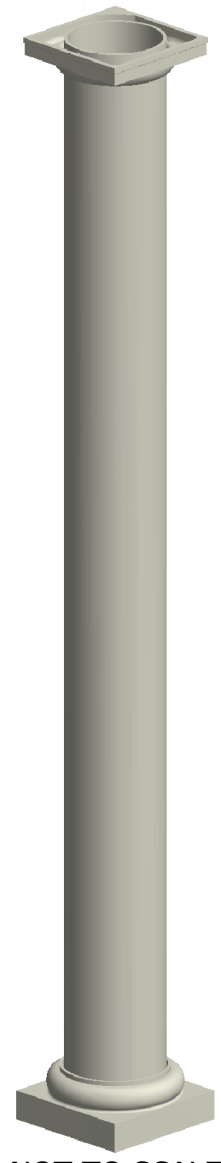
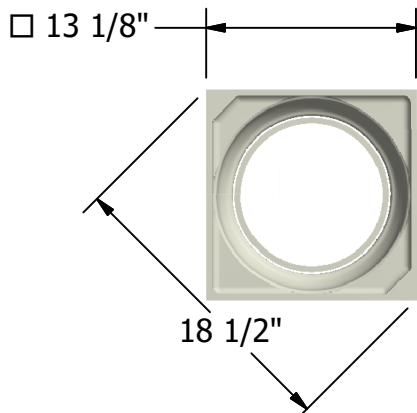
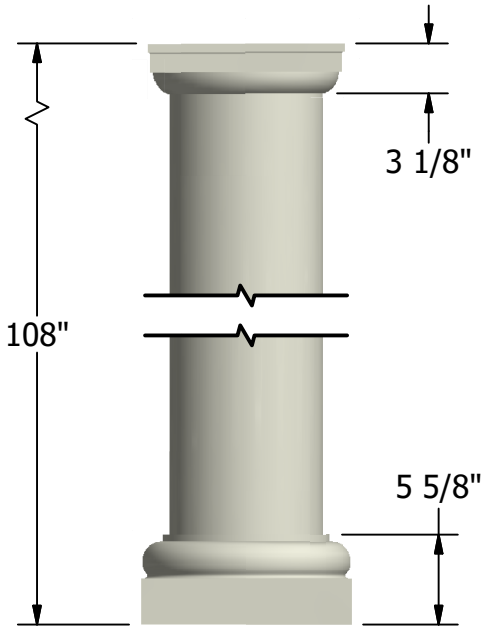
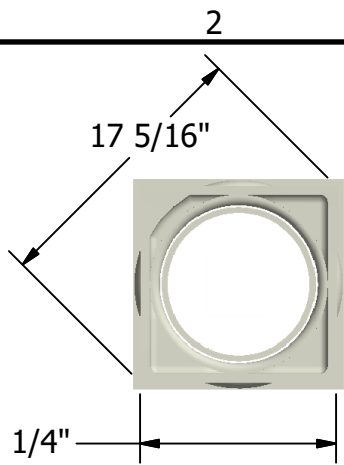




1

- NOTES:**
1. MATERIAL: FIBERGLASS REINFORCED POLYMER (FRP)
 2. WEIGHT: COLUMN: 94 Lbs.
CAP: 5 Lbs.
BASE: 11.5 Lbs.
 3. MATERIAL THICKNESS.
COLUMN: 3/8"
 4. INSIDE DIAMETER AT TOP OF COLUMN: 8 7/8"
 5. OUTSIDE DIAMETER AT TOP OF COLUMN: 9 5/8"
 6. INSIDE DIAMETER AT BOTTOM OF COLUMN: 8 7/8"
 7. OUTSIDE DIAMETER AT BOTTOM OF COLUMN: 9 5/8"
 8. MAXIMUM LOAD BEARING WEIGHT: 14000 Lbs.



NOT TO SCALE

DRAWN Bryan Daniels	5/12/2016
CHECKED	
QA	
DIMENSIONS ARE IN INCHES	
TOLERANCE: ± 1/4"	

FIRST CLASS
BUILDING PRODUCTS, INC.

TITLE
Tuscan Round, Non-Tapered
10" x 9'

SIZE A	DWG NO NTSM1009	REV 03
SCALE 1:12	SHEET 1 OF 1	

First Class Building Products -bW
3600 Dallas Highway Suite 230-387
Marietta, GA 30064
Tel: 770-514-8141
Email: firstclassbp@gmail.com
www.firstclassbp.com

2



1