

2

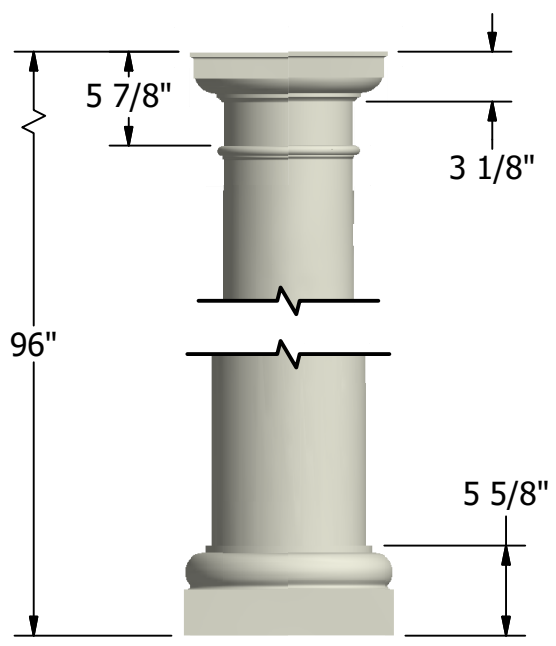
1



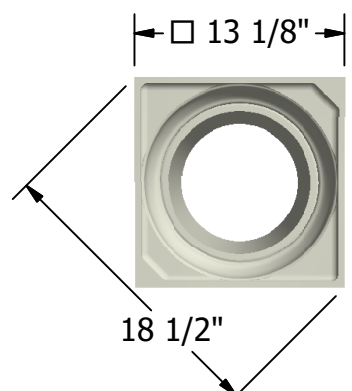
- NOTES:**
1. MATERIAL: FIBERGLASS REINFORCED POLYMER (FRP)
 2. WEIGHT: COLUMN: 75 Lbs.
CAP: 6 Lbs.
BASE: 11.5 Lbs.
 3. MATERIAL THICKNESS.
COLUMN: 3/8"
 4. INSIDE DIAMETER AT TOP OF COLUMN: 7 1/4"
 5. OUTSIDE DIAMETER AT TOP OF COLUMN: 8"
 6. INSIDE DIAMETER AT BOTTOM OF COLUMN: 8 7/8"
 7. OUTSIDE DIAMETER AT BOTTOM OF COLUMN: 9 5/8"
 8. TAPER STARTS FROM BOTTOM OF COLUMN: 30"
 9. MAXIMUM LOAD BEARING WEIGHT: 14000 Lbs.

B

B



A



A

A

First Class Building Products -bW
3600 Dallas Highway Suite 230-387
Marietta, GA 30064
Tel: 770-514-8141
Email: firstclassbp@gmail.com
www.firstclassbp.com

| | |
|--------------------------|-----------|
| DRAWN Bryan Daniels | 5/10/2016 |
| CHECKED | |
| QA | |
| MFG | |
| APPROVED | |
| DIMENSIONS ARE IN INCHES | |
| TOLERANCE: ± 1/4" | |

FIRST CLASS
BUILDING PRODUCTS, INC.

| | | | |
|---|------------------|-----------|--|
| TITLE Tuscan Round, Smooth 10" x 8' | | | |
| SIZE A | DWG NO SM1008 | REV 03 | |
| SCALE 1:12 | SHEET 1 OF 1 | | |

2



1