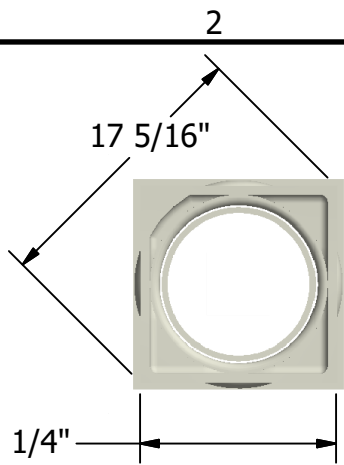


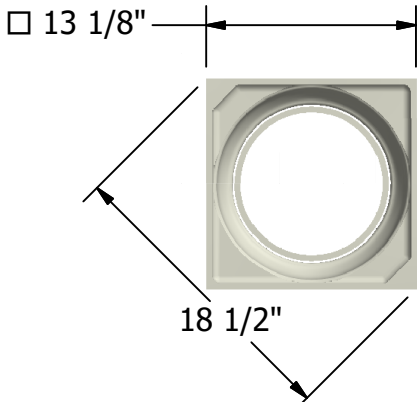
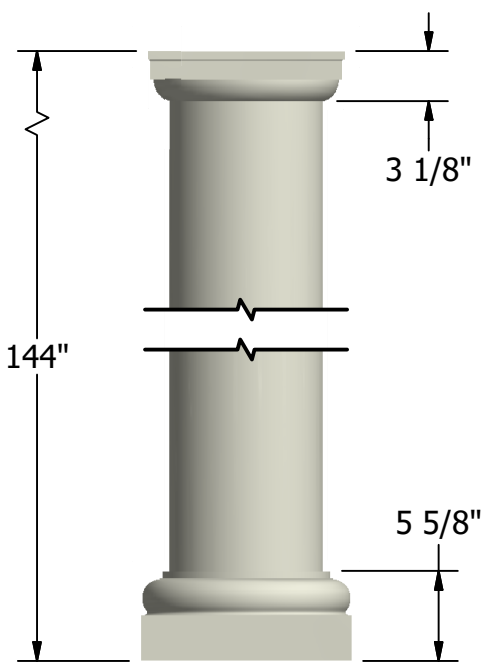


1

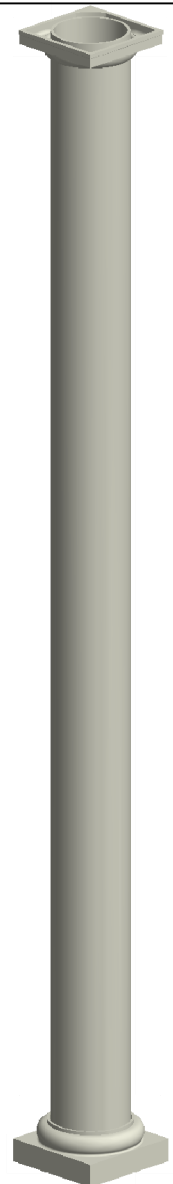
- NOTES:**
1. MATERIAL: FIBERGLASS REINFORCED POLYMER (FRP)
  2. WEIGHT: COLUMN: 100 Lbs.  
CAP: 5 Lbs.  
BASE: 11.5 Lbs.
  3. MATERIAL THICKNESS.  
COLUMN: 3/8"
  4. INSIDE DIAMETER AT TOP OF COLUMN: 8 7/8"
  5. OUTSIDE DIAMETER AT TOP OF COLUMN: 9 5/8"
  6. INSIDE DIAMETER AT BOTTOM OF COLUMN: 8 7/8"
  7. OUTSIDE DIAMETER AT BOTTOM OF COLUMN: 9 5/8"
  8. MAXIMUM LOAD BEARING WEIGHT: 14000 Lbs.



B



A



B

A

First Class Building Products -bW  
 3600 Dallas Highway Suite 230-387  
 Marietta, GA 30064  
 Tel: 770-514-8141  
 Email: firstclassbp@gmail.com  
 www.firstclassbp.com

DRAWN Bryan Daniels	5/12/2016
CHECKED	
QA	
DIMENSIONS ARE IN INCHES	
TOLERANCE: ± 1/4"	



TITLE Tuscan Round, Non-Tapered 10" x 12'			
SIZE A	DWG NO NTSM1012	REV 03	
SCALE 1:12	SHEET 1 OF 1		

2



1