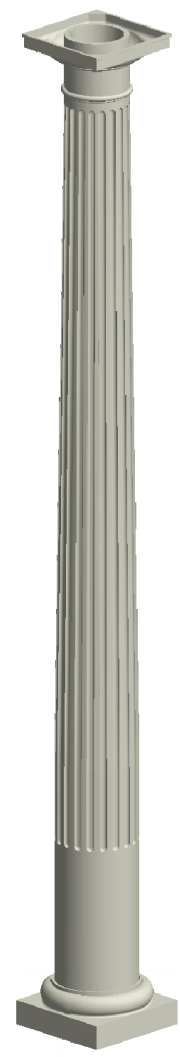
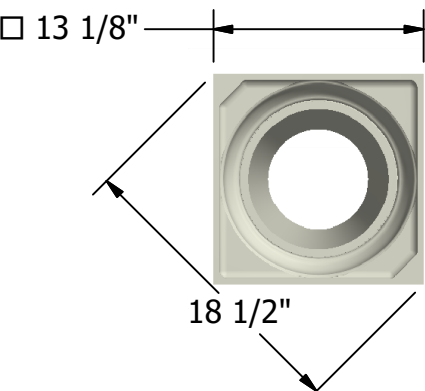
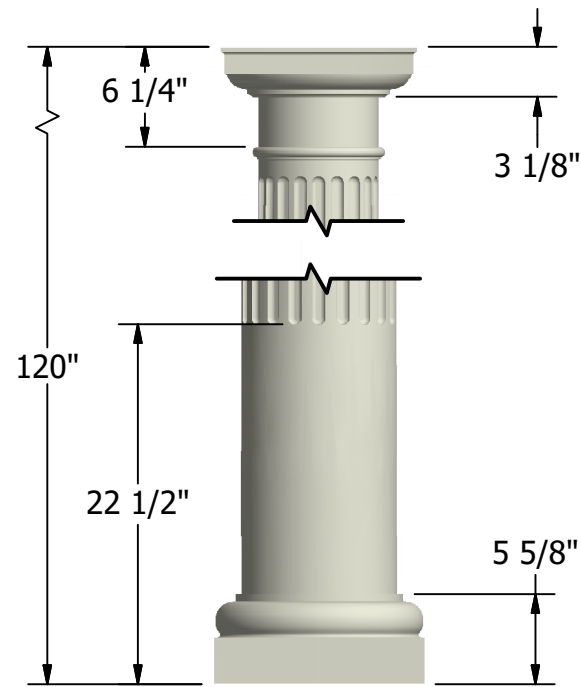
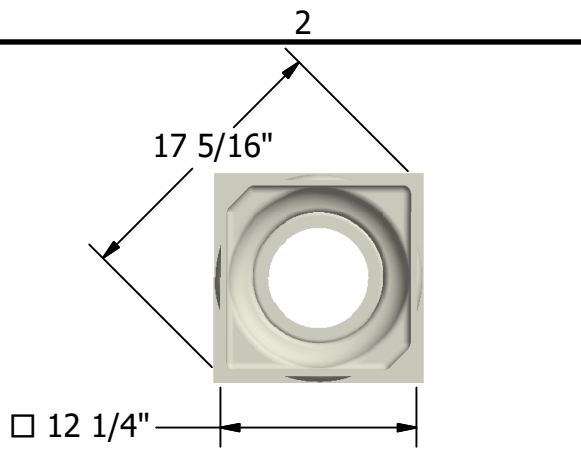


NOTES:

1. MATERIAL: FIBERGLASS REINFORCED POLYMER (FRP)
2. WEIGHT: COLUMN: 103 Lbs.
CAP: 6 Lbs.
BASE: 11.5 Lbs.
3. MATERIAL THICKNESS.
COLUMN: 3/8"
4. INSIDE DIAMETER AT TOP OF COLUMN: 6 1/4"
5. OUTSIDE DIAMETER AT TOP OF COLUMN: 7 1/2"
6. INSIDE DIAMETER AT BOTTOM OF COLUMN: 8 3/4"
7. OUTSIDE DIAMETER AT BOTTOM OF COLUMN: 9 3/4"
8. TAPER STARTS FROM BOTTOM OF COLUMN: 32"
9. FLUTES START FROM BOTTOM OF COLUMN: 22 1/2"
10. MAXIMUM LOAD BEARING WEIGHT: 14000 Lbs.
11. 20 FLUTES



NOT TO SCALE

First Class Building Products -bW
 3600 Dallas Highway Suite 230-387
 Marietta, GA 30064
 Tel: 770-514-8141
 Email: firstclassbp@gmail.com
 www.firstclassbp.com

DRAWN Bryan Daniels	5/16/2016
CHECKED	
QA	
DIMENSIONS ARE IN INCHES	
TOLERANCE: ± 1/4"	

TITLE Round Fluted Column Assembly 10" x 10'			
SIZE A	DWG NO FL1010	REV 03	
SCALE 1:12	SHEET 1 OF 1		