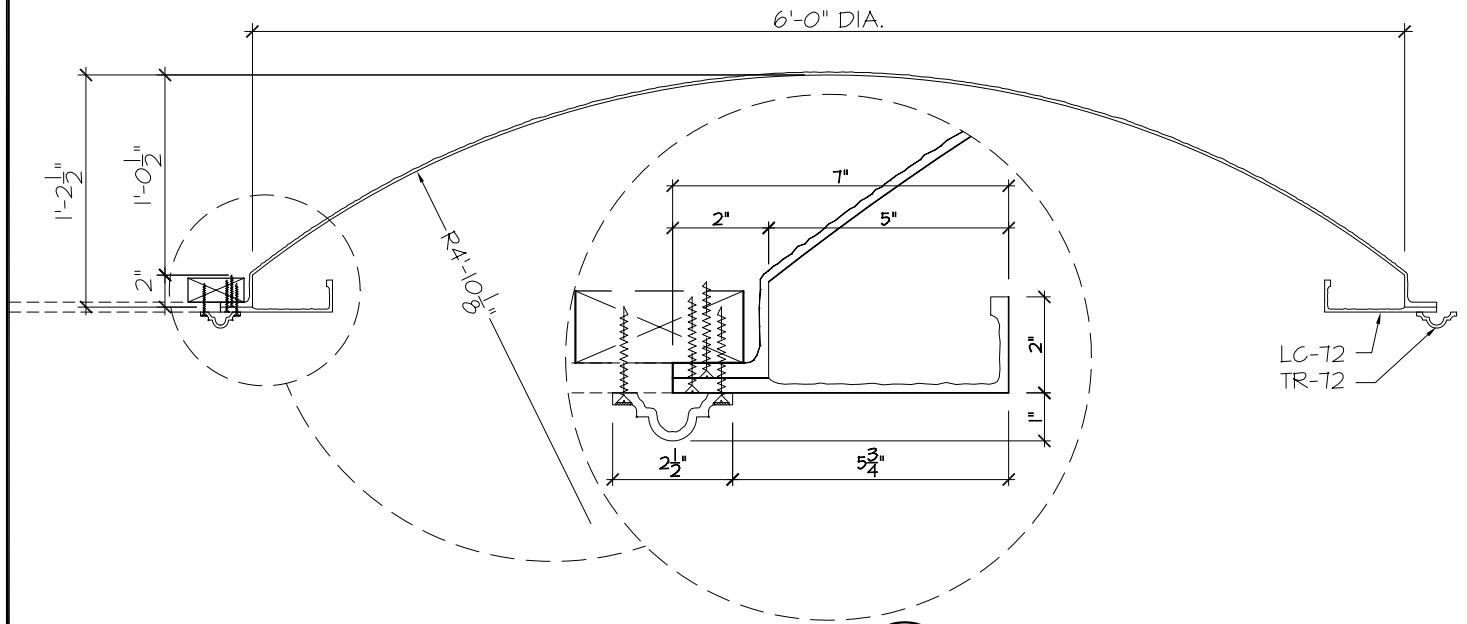


1A

**REFLECTED
PLAN VIEW**

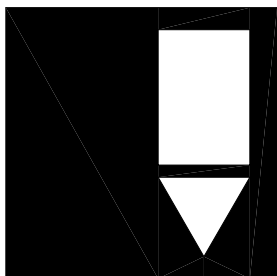
SCALE : 1/2" = 1'-0"



1B

DETAIL SECTION

SCALE : 1" = 1'-0"



**FIRST CLASS
BUILDING
PRODUCTS**

3600 DALLAS HWY
SUITE #230-387
MARIETTA, GA 30064
Phone 770.514.8141
Fax 770.514.0731

PROJECT:		FIRST CLASS	SHEET NO.
		BUILDING PRODUCTS	
JOB NO:			D7214-LT
TITLE:		GFRP DOME	
TITLE:		6'-0" DIAMETER	PAGE
SCALE:	AS SHOWN	DRAWN BY:	