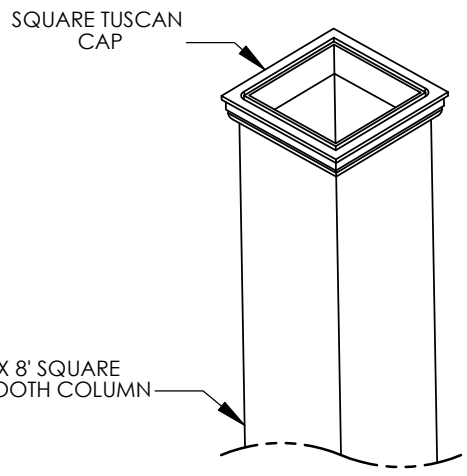
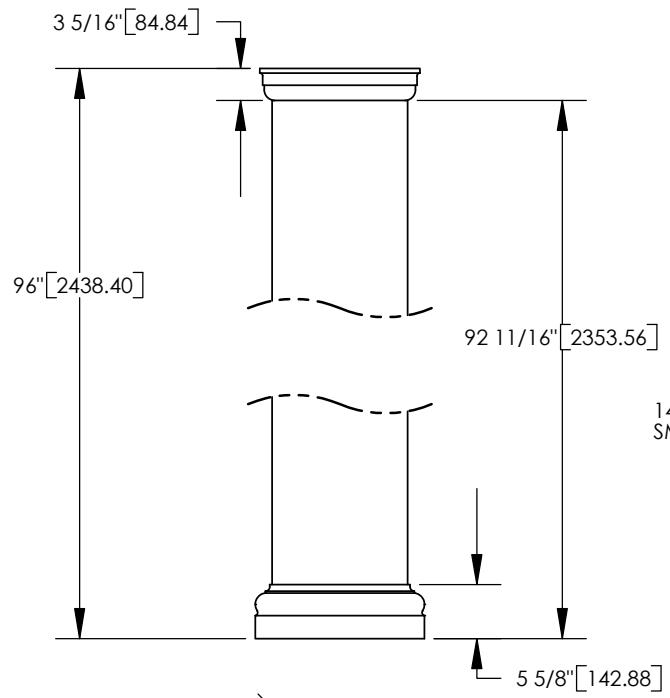
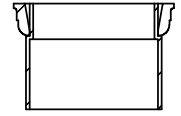


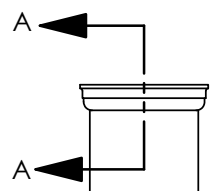
SQUARE TUSCAN  
14" CAP



14" X 8" SQUARE  
SMOOTH COLUMN

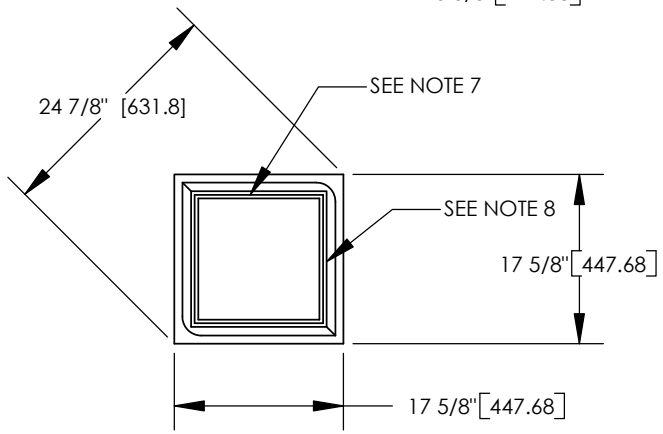


SECTION A-A  
SCALE 1 : 20

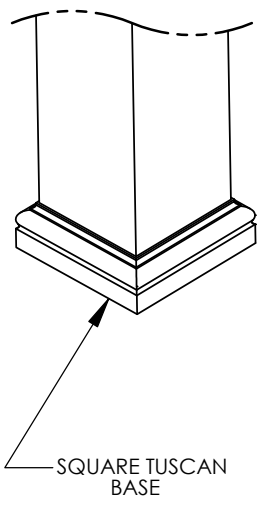


ARCHITECTURAL  
VIEW  
SCALE 1/25

- NOTES:
1. DIMENSIONS WITHIN THE PARENTHESES ARE METRIC UNITS (millimeters) or (Kg=Kilograms)
  2. MATERIAL: FIBERGLASS REINFORCED POLYMER (FRP)
  3. WEIGHT. COLUMN:  
CAP:  
BASE:
  4. MATERIAL THICKNESS.  
COLUMN: 3/8" (9.5)
  5. INSIDE DIMENSION AT TOP OF COLUMN: 12 5/8" (330.7)
  6. OUTSIDE DIMENSION AT TOP OF COLUMN: 13 3/8" (339.7)
  7. INSIDE DIMENSION AT BOTTOM OF COLUMN: 13 3/8" (339.73)
  8. OUTSIDE DIMENSION AT BOTTOM OF COLUMN: 14 1/8" (358.8)



SQUARE TUSCAN  
14" BASE



SQUARE TUSCAN  
BASE

**FIRST CLASS**  
**BUILDING PRODUCTS**

888-514-8141

		DIMENSIONS ARE IN INCHES (mm) TOLERANCES: FRACTIONAL: ± 1/4" ANGULAR: MACH ± BEND ± TWO PLACE DECIMAL ± THREE PLACE DECIMAL ±	NAME	DATE	©
			DRAWN	SOF	
		CHECKED	RK		
		ENG APPR.	RK.		
		MFG APPR.	RK		
		Q.A.	RK		
		COMMENTS:			
NEXT ASSY	USED ON	FINISH			
APPLICATION		DO NOT SCALE DRAWING			
		SIZE	DWG. NO.		REV.
		<b>A</b>			02
		SCALE: 1/20	WEIGHT:	SHEET 1 OF 1	

14" X 8" TUSCAN SQUARE  
SMOOTH COLUMN  
ASSEMBLY