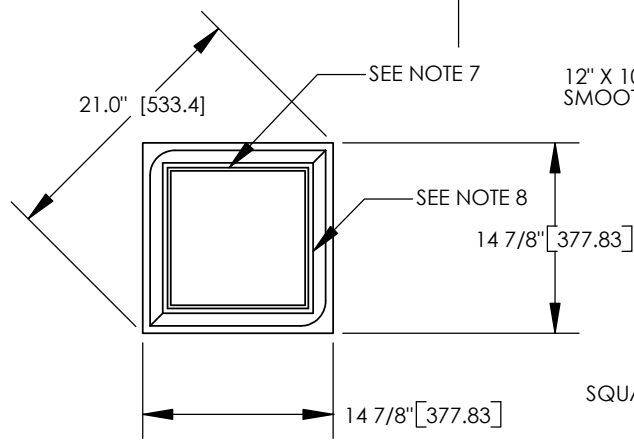
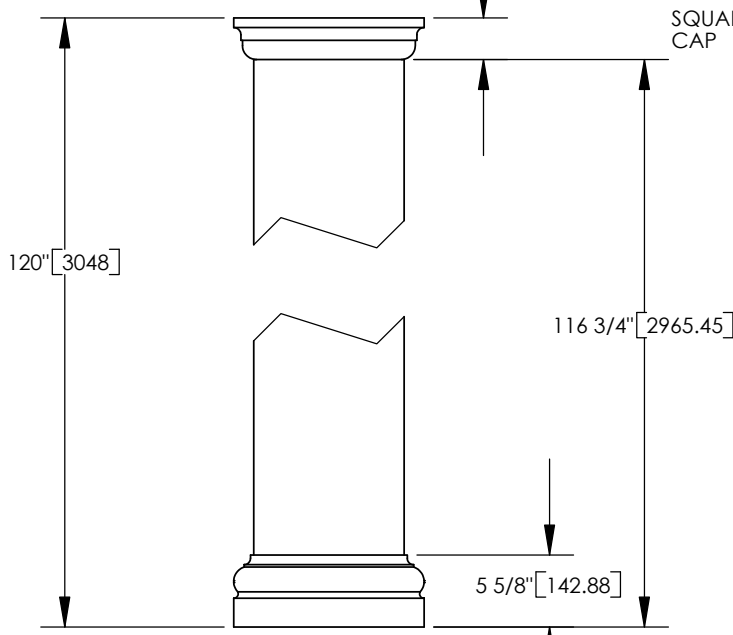


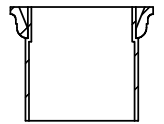
SQUARE TUSCAN
12" CAP



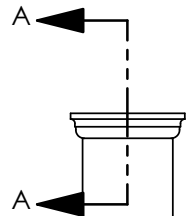
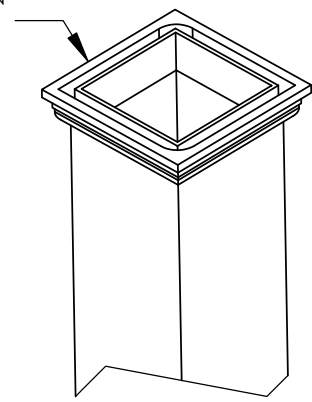
SQUARE TUSCAN
12" BASE

NOTES:

1. DIMENSIONS WITHIN THE PARENTHESES ARE METRIC UNITS (millimeters) or (Kg=Kilograms)
2. MATERIAL: FIBERGLASS REINFORCED POLYMER (FRP)
3. WEIGHT. COLUMN:
CAP:
BASE:
4. MATERIAL THICKNESS.
COLUMN: 3/8" (9.5)
5. INSIDE DIMENSION AT TOP OF COLUMN: 10 1/2" (266.7)
6. OUTSIDE DIMENSION AT TOP OF COLUMN: 11 1/4" (285.8)
7. INSIDE DIMENSION AT BOTTOM OF COLUMN: 11" (279.4)
8. OUTSIDE DIMENSION AT BOTTOM OF COLUMN: 11 3/4" 298.5)



SECTION A-A
SCALE 1 : 20



12" X 10' SQUARE
SMOOTH COLUMN

SQUARE TUSCAN
BASE

ARCHITECTURAL
VIEW
SCALE 1/25



888-514-8141

		DIMENSIONS ARE IN INCHES (mm) TOLERANCES: FRACTIONAL ± 1/4" ANGULAR: MACH ± BEND ± TWO PLACE DECIMAL ± THREE PLACE DECIMAL ±	NAME	DATE
NEXT ASSY	USED ON		SOF	05/05/08
		MATERIAL	CHECKED	RK
		FINISH	ENG APPR.	RK
APPLICATION		DO NOT SCALE DRAWING	MFG APPR.	RK
			Q.A.	RK
			COMMENTS:	

©			SIZE	DWG. NO.	REV.
			A		02
			SCALE: 1/15	WEIGHT:	SHEET 1 OF 1

12" X 10' TUSCAN SQUARE
SMOOTH COLUMN
ASSEMBLY