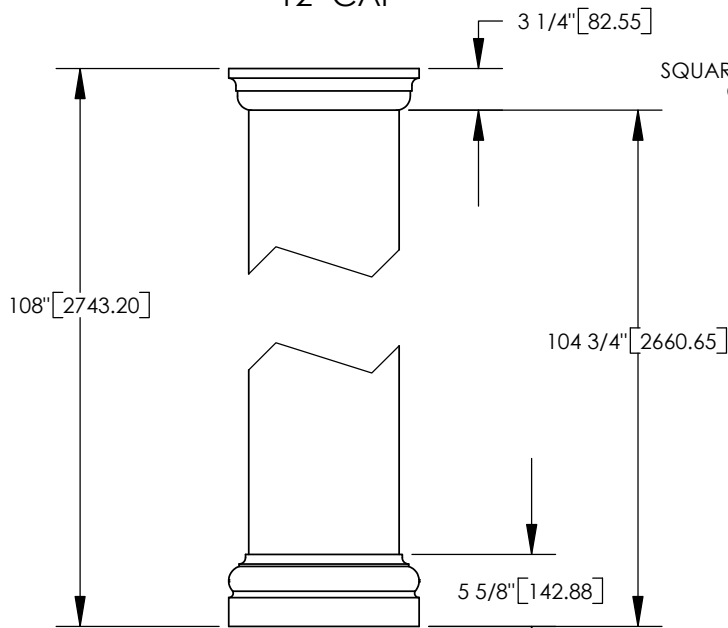


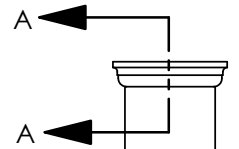
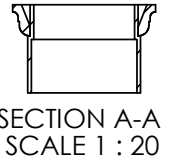
SQUARE TUSCAN
12" CAP

NOTES:

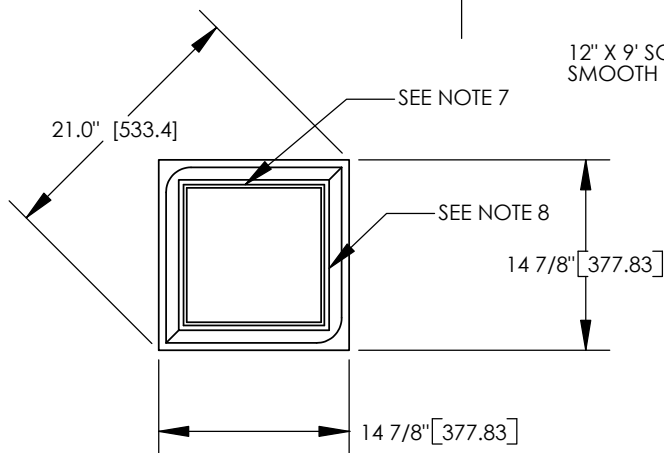
1. DIMENSIONS WITHIN THE PARENTHESES ARE METRIC UNITS (millimeters) or (Kg=Kilograms)
2. MATERIAL: FIBERGLASS REINFORCED POLYMER (FRP)
3. WEIGHT. COLUMN:
CAP:
BASE:
4. MATERIAL THICKNESS.
COLUMN: 3/8" (9.5)
5. INSIDE DIMENSION AT TOP OF COLUMN: 10 1/2" (266.7)
6. OUTSIDE DIMENSION AT TOP OF COLUMN: 11 1/4" (285.8)
7. INSIDE DIMENSION AT BOTTOM OF COLUMN: 11" (279.4)
8. OUTSIDE DIMENSION AT BOTTOM OF COLUMN: 11 3/4" 298.5)



SQUARE TUSCAN
CAP



ARCHITECTURAL
VIEW
SCALE 1/25



SQUARE TUSCAN
12" BASE

12" X 9" SQUARE
SMOOTH COLUMN

SQUARE TUSCAN
BASE



888-514-8141

		DIMENSIONS ARE IN INCHES (mm)	
		TOLERANCES: FRACTIONAL: ± 1/4" ANGULAR: MACH ± BEND ± TWO PLACE DECIMAL ± THREE PLACE DECIMAL ±	
		MATERIAL	
NEXT ASSY	USED ON	FINISH	
APPLICATION		DO NOT SCALE DRAWING	

	NAME	DATE
DRAWN	SOF	05/05/08
CHECKED	RK	
ENG APPR.	RK	
MFG APPR.	RK	
Q.A.	RK	
COMMENTS:		

©		
12" X 9" TUSCAN SQUARE SMOOTH COLUMN ASSEMBLY		
SIZE	DWG. NO.	REV.
A		02
SCALE: 1/15	WEIGHT:	SHEET 1 OF 1