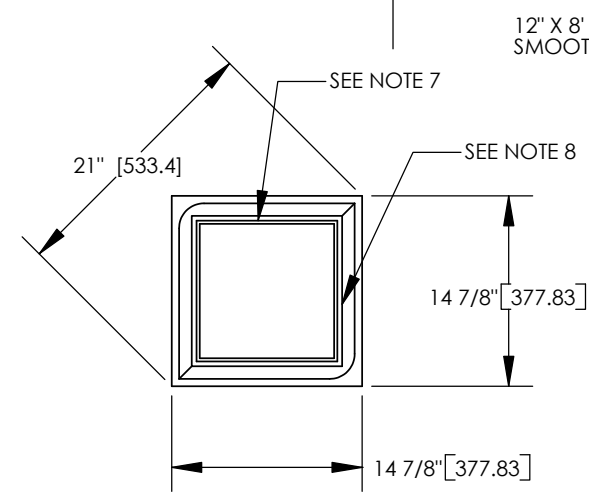
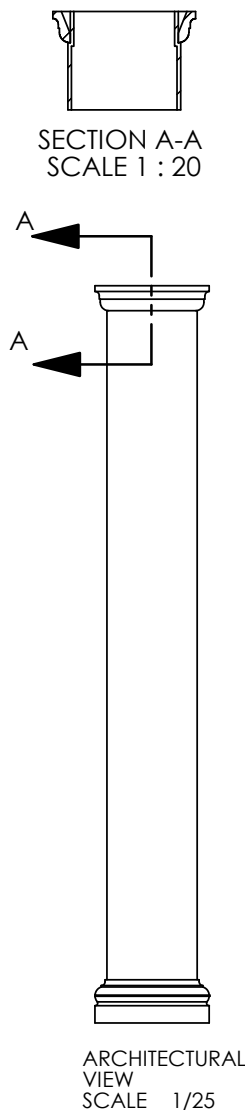
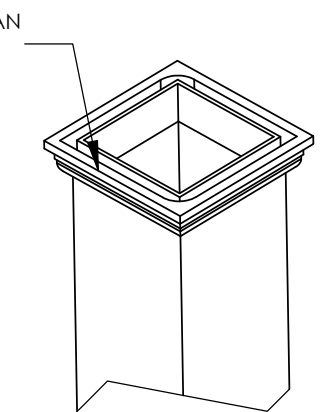
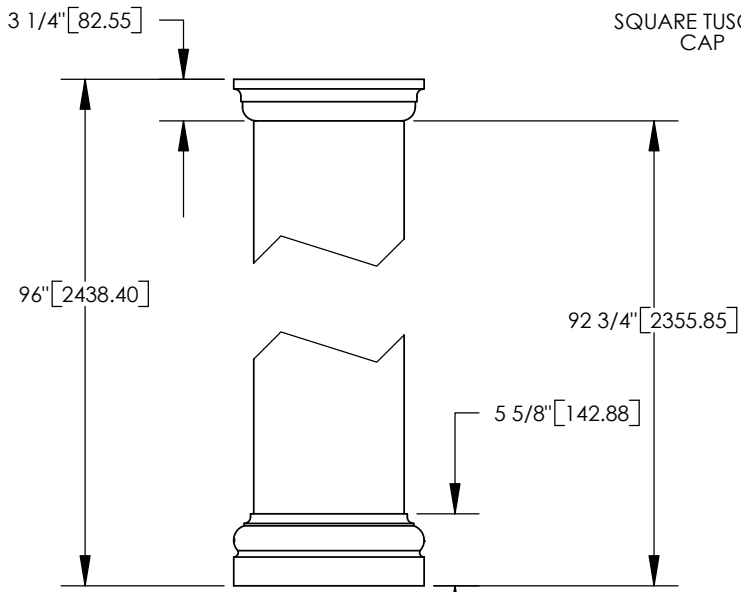


- NOTES:
1. DIMENSIONS WITHIN THE PARENTHESES ARE METRIC UNITS (millimeters) or (Kg=Kilograms)
  2. MATERIAL: FIBERGLASS REINFORCED POLYMER (FRP)
  3. WEIGHT. COLUMN:  
CAP:  
BASE:
  4. MATERIAL THICKNESS.  
COLUMN: 3/8" (9.5)
  5. INSIDE DIMENSION AT TOP OF COLUMN: 10 1/2" (266.7)
  6. OUTSIDE DIMENSION AT TOP OF COLUMN: 11 1/4" (285.8)
  7. INSIDE DIMENSION AT BOTTOM OF COLUMN: 11" (279.4)
  8. OUTSIDE DIMENSION AT BOTTOM OF COLUMN: 11 3/4" (298.5)



SQUARE TUSCAN  
12" BASE

**FIRST CLASS**  
**BUILDING PRODUCTS**

888-514-8141

		DIMENSIONS ARE IN INCHES (mm) TOLERANCES: FRACTIONAL: ± 1/4" ANGULAR: MACH ± BEND ± TWO PLACE DECIMAL ± THREE PLACE DECIMAL ±		NAME	DATE	©	
		MATERIAL		DRAWN	SOF		05/05/08
		FINISH		CHECKED	RK		12" X 8' TUSCAN SQUARE SMOOTH COLUMN ASSEMBLY
NEXT ASSY		USED ON		ENG APPR	RK		
APPLICATION		DO NOT SCALE DRAWING		MFG APPR	RK		
				Q.A.	RK		
				COMMENTS:			
				SIZE	DWG. NO.	REV.	
				<b>A</b>		02	
				SCALE: 1/15	WEIGHT:	SHEET 1 OF 1	