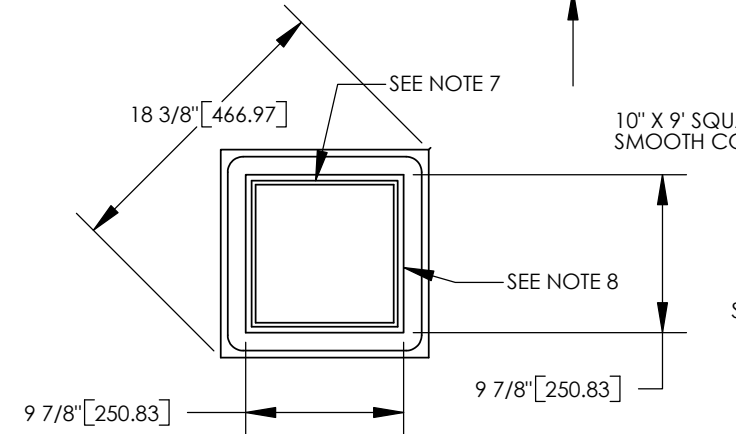
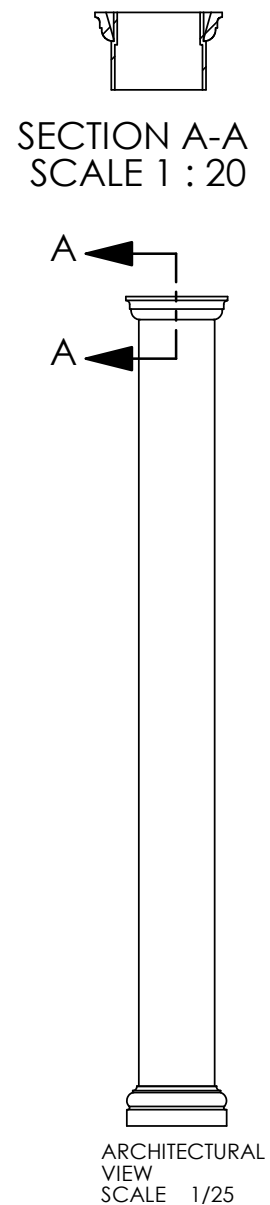
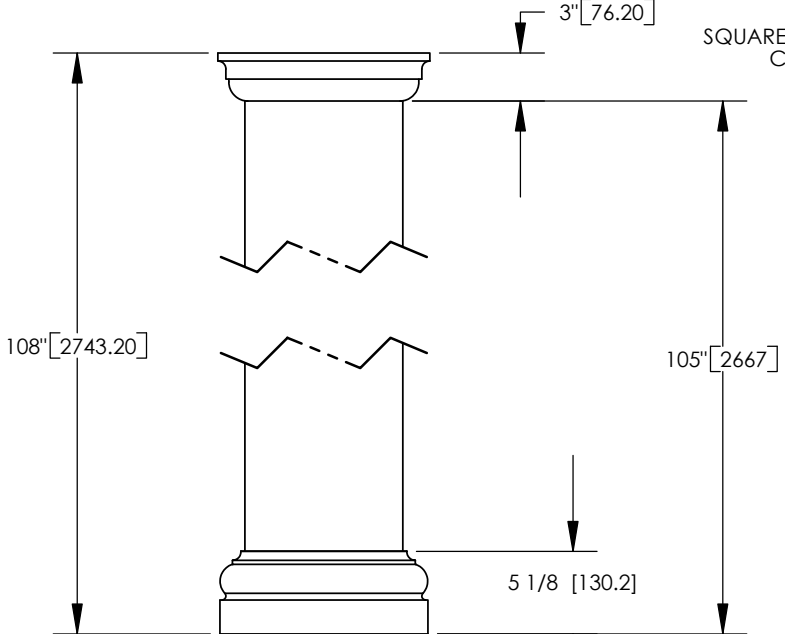


- NOTES:
1. DIMENSIONS WITHIN THE PARENTHESES ARE METRIC UNITS (millimeters) or (Kg=Kilograms)
 2. MATERIAL: FIBERGLASS REINFORCED POLYMER (FRP)
 3. WEIGHT. COLUMN:
CAP:
BASE:
 4. MATERIAL THICKNESS.
COLUMN: 3/8" (9.5)
 5. INSIDE DIMENSION AT TOP OF COLUMN: 8 5/8" (219.1)
 6. OUTSIDE DIMENSION AT TOP OF COLUMN: 9 3/8" (238.1)
 7. INSIDE DIMENSION AT BOTTOM OF COLUMN: 9 1/8" (231.8)
 8. OUTSIDE DIMENSION AT BOTTOM OF COLUMN: 9 7/8" (250.8)



FIRST CLASS BUILDING PRODUCTS

888-514-8141

| | | | | |
|-------------|---------|--|-----------|------|
| | | DIMENSIONS ARE IN INCHES (mm) TOLERANCES: FRACTIONAL ± 1/4" ANGULAR: MACH ± BEND ± TWO PLACE DECIMAL ± THREE PLACE DECIMAL ± | NAME | DATE |
| DRAWN | SOF | | 05/05/08 | |
| CHECKED | RK | | | |
| ENG APPR. | RK | | | |
| MFG APPR. | RK | | | |
| | | MATERIAL | Q.A. | RK |
| | | | COMMENTS: | |
| NEXT ASSY | USED ON | FINISH | | |
| APPLICATION | | DO NOT SCALE DRAWING | | |

© COPYRIGHT

10" X 9" TUSCAN SQUARE SMOOTH COLUMN ASSEMBLY

| | | |
|-------------|----------|--------------|
| SIZE | DWG. NO. | REV. |
| A | | 02 |
| SCALE: 1/12 | WEIGHT: | SHEET 1 OF 1 |