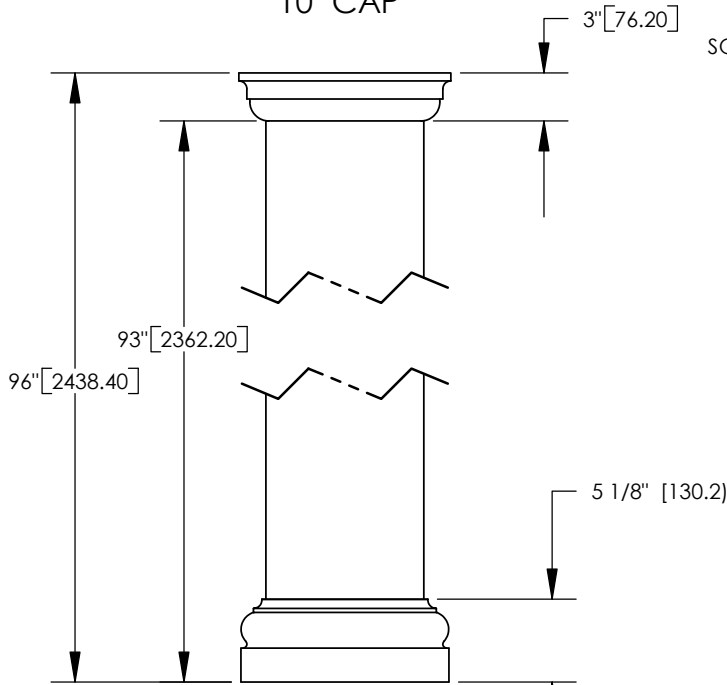
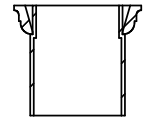


NOTES:

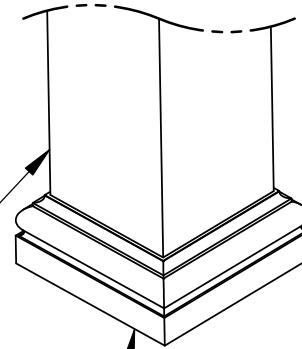
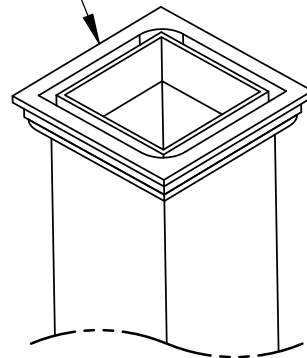
1. DIMENSIONS WITHIN THE PARENTHESES ARE METRIC UNITS (millimeters) or (Kg=Kilograms)
2. MATERIAL: FIBERGLASS REINFORCED POLYMER (FRP)
3. WEIGHT. COLUMN:  
CAP:  
BASE:
4. MATERIAL THICKNESS.  
COLUMN: 3/8" (9.5)
5. INSIDE DIMENSION AT TOP OF COLUMN: 8 5/8" (219.1)
6. OUTSIDE DIMENSION AT TOP OF COLUMN: 9 3/8" (238.1)
7. INSIDE DIMENSION AT BOTTOM OF COLUMN: 9 1/8" (231.8)
8. OUTSIDE DIMENSION AT BOTTOM OF COLUMN: 9 7/8" (250.8)



SQUARE TUSCAN CAP

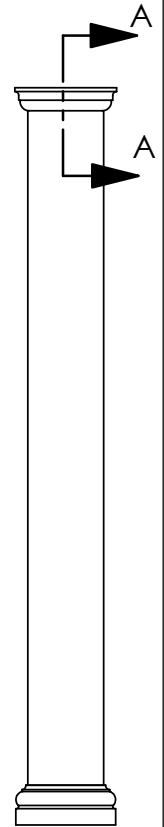


SECTION A-A  
SCALE 1 : 20

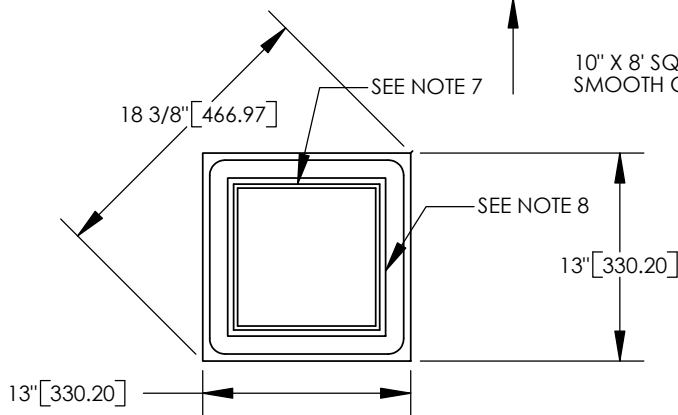


10" X 8" SQUARE SMOOTH COLUMN

SQUARE TUSCAN BASE



ARCHITECTURAL VIEW  
SCALE 1/25



SQUARE TUSCAN  
10" BASE

**FIRST CLASS  
BUILDING PRODUCTS**

888-514-8141

		DIMENSIONS ARE IN INCHES (mm) TOLERANCES: FRACTIONAL ± 1/4" ANGULAR: MACH ± BEND ± TWO PLACE DECIMAL ± THREE PLACE DECIMAL ±	
		MATERIAL	
NEXT ASSY	USED ON	FINISH	
APPLICATION		DO NOT SCALE DRAWING	

	NAME	DATE
DRAWN	SOF	05/05/08
CHECKED	RK	
ENG APPR.	RK	
MFG APPR.	RK	
Q.A.	RK	
COMMENTS:		

© COPYRIGHT

**10" X 8" TUSCAN SQUARE  
SMOOTH COLUMN  
ASSEMBLY**

SIZE <b>A</b>	DWG. NO.	REV. 02
SCALE: 1/12		WEIGHT:
		SHEET 1 OF 1