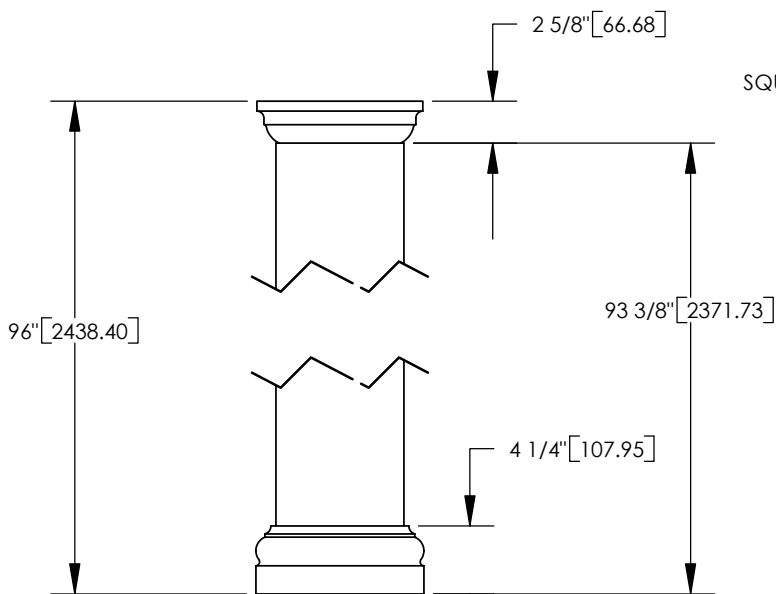
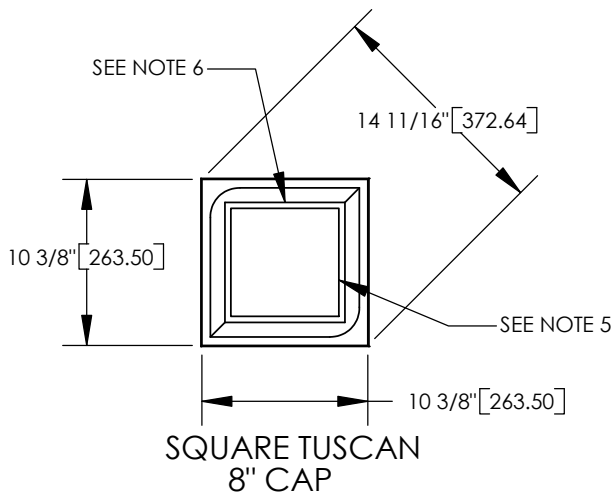


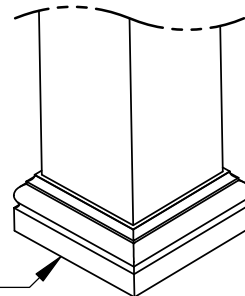
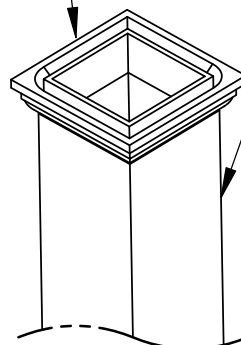
NOTES:

1. DIMENSIONS WITHIN THE PARENTHESES ARE METRIC UNITS (millimeters) or (Kg=Kilograms)
2. MATERIAL: FIBERGLASS REINFORCED POLYMER (FRP)
3. WEIGHT. COLUMN:
CAP:
BASE:
4. MATERIAL THICKNESS.
COLUMN: 3/8" (9.5)
5. INSIDE DIMENSION AT TOP OF COLUMN: 6 3/4" (171.5)
6. OUTSIDE DIMENSION AT TOP OF COLUMN: 7 1/2" (190.5)
7. INSIDE DIMENSION AT BOTTOM OF COLUMN: 7 1/4" (184.2)
8. OUTSIDE DIMENSION AT BOTTOM OF COLUMN: 8" (203.2)

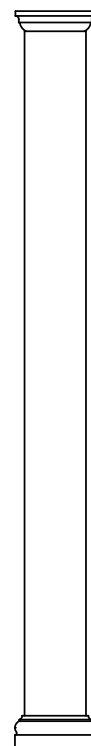


SQUARE TUSCAN
CAP

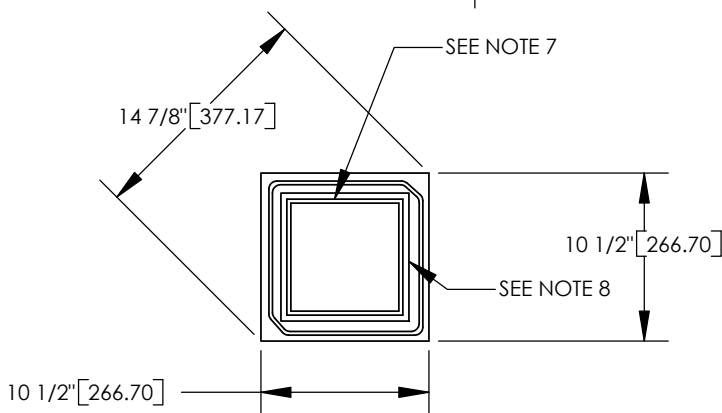
8" X 8" SQUARE
SMOOTH COLUMN



SQUARE TUSCAN
BASE



ARCHITECTURAL
VIEW
SCALE 1/25



**SQUARE TUSCAN
8" BASE**

**FIRST CLASS
BUILDING PRODUCTS**

888-514-8141

		DIMENSIONS ARE IN INCHES (mm) TOLERANCES: FRACTIONAL: ± 1/4" ANGULAR: MACH ± BEND ± TWO PLACE DECIMAL ± THREE PLACE DECIMAL ±			NAME	DATE	
			DRAWN	SOF	05/05/08	©COPYRIGHT	
			CHECKED	RK			
			ENG APPR.	RK			
		MATERIAL	MFG APPR.	RK			
		FINISH	Q.A.	RK			
NEXT ASSY	USED ON	COMMENTS:					
APPLICATION		DO NOT SCALE DRAWING					

**8" X 8" TUSCAN SQUARE
SMOOTH COLUMN
ASSEMBLY**

SIZE	DWG. NO.	REV.
A		02
SCALE: 1/12 WEIGHT:		SHEET 1 OF 1