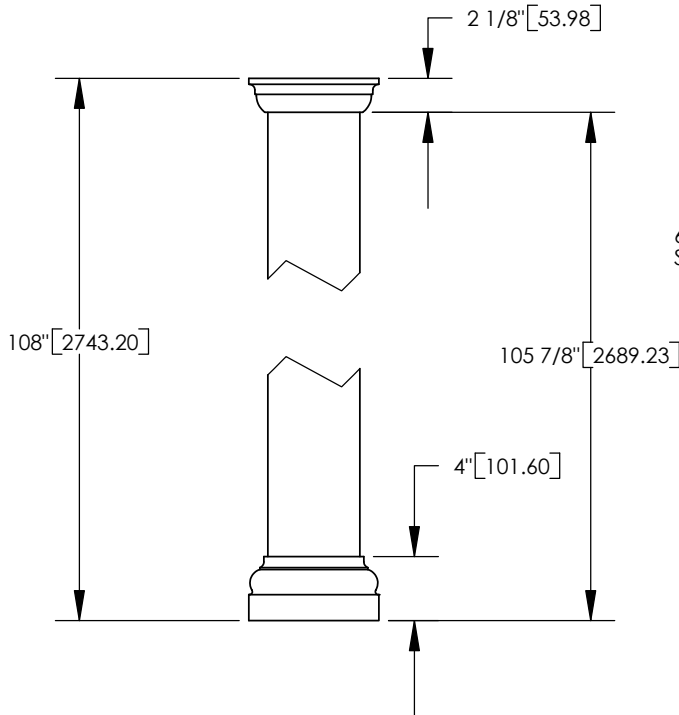


**SQUARE TUSCAN
6" CAP**

NOTES:

1. DIMENSIONS WITHIN THE PARENTHESES ARE METRIC UNITS (millimeters) or (Kg=Kilograms)
2. MATERIAL: FIBERGLASS REINFORCED POLYMER (FRP)
3. WEIGHT. COLUMN:
CAP:
BASE:
4. MATERIAL THICKNESS.
COLUMN: 3/8" (9.5)
5. INSIDE DIMENSION AT TOP OF COLUMN: 4 1/2 (114.3)
6. OUTSIDE DIMENSION AT TOP OF COLUMN: 5 1/4" (133.4)
7. INSIDE DIMENSION AT BOTTOM OF COLUMN: 5" (127.0)
8. OUTSIDE DIMENSION AT BOTTOM OF COLUMN: 5 3/4" (146.1)



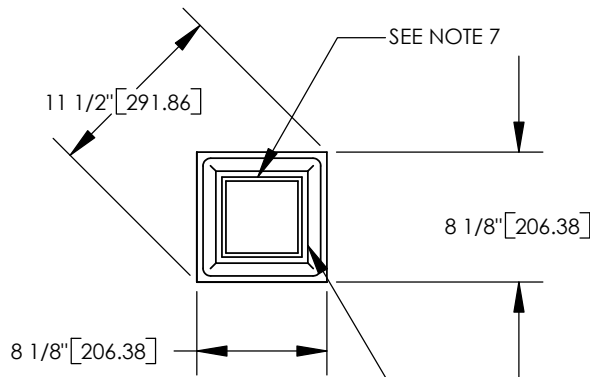
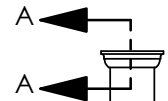
**SQUARE TUSCAN
CAP**

**6" X 9" SQUARE
SMOOTH COLUMN**

**SQUARE TUSCAN
BASE**



**SECTION A-A
SCALE 1 : 20**



**SQUARE TUSCAN
6" BASE**

**ARCHITECTURAL
VIEW
SCALE 1/25**

**FIRST CLASS
BUILDING PRODUCTS**

888-514-8141

		DIMENSIONS ARE IN INCHES (mm) TOLERANCES: FRACTIONAL ± 1/4" ANGULAR: MACH ± BEND ± TWO PLACE DECIMAL ± THREE PLACE DECIMAL ±			
			MATERIAL		
			FINISH		
NEXT ASSY	USED ON				
APPLICATION		DO NOT SCALE DRAWING			

	NAME	DATE
DRAWN	SOF	05/05/08
CHECKED	RK	
ENG APPR.	RK	
MFG APPR.	RK	
Q.A.	RK	
COMMENTS:		

© COPYRIGHT		
6" X 9" TUSCAN SQUARE SMOOTH COLUMN ASSEMBLY		
SIZE A	DWG. NO.	REV. 02
SCALE: 1/12	WEIGHT:	SHEET 1 OF 1