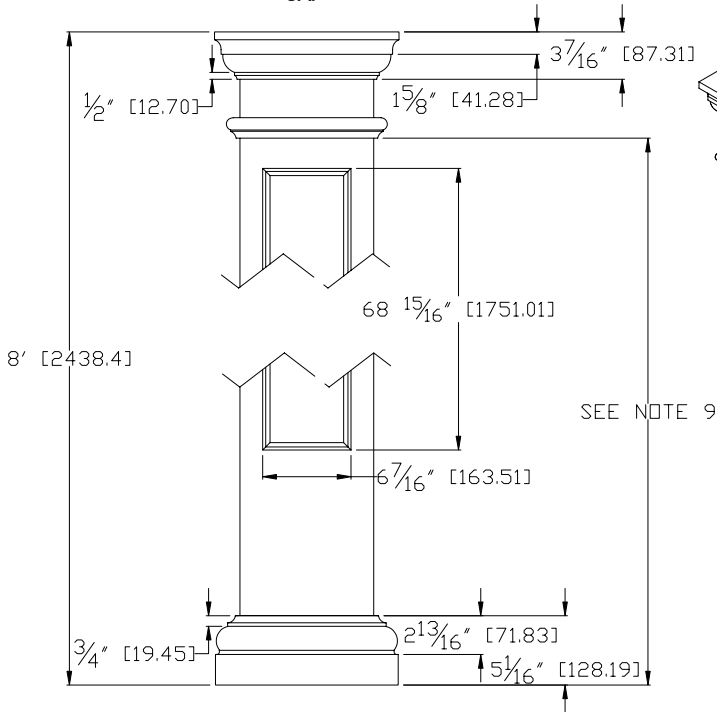
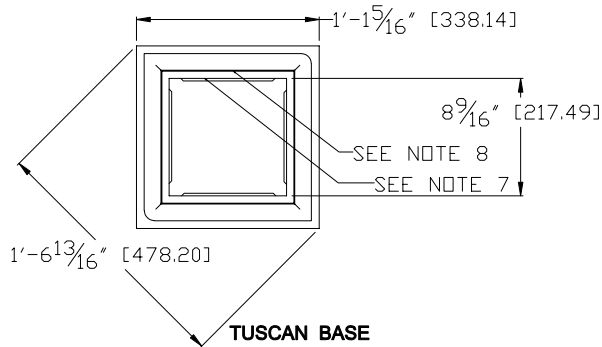


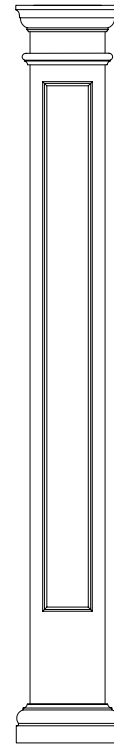
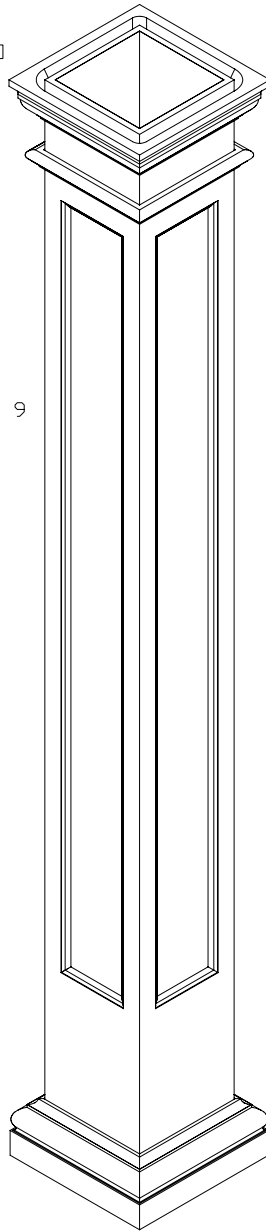
TUSCAN DROP-DOWN CAP



SEE NOTE 9



TUSCAN BASE



**ARCHITECTURAL VIEW
SCALE: 1/25**

NOTES:

1. DIMENSIONS WITHIN THE PARENTHESES ARE METRIC UNITS (millimeters) or (Kg=Kilograms)
2. MATERIAL: FIBERGLASS REINFORCED POLYMER (FRP)
3. WEIGHT: POST: 148.4 lbs. [67.31]
CAP: 7.6 lbs. [3.45]
BASE: 9.6 lbs. [4.35]
COLLYRIUM: 2.6 lbs. [1.18]
4. MATERIAL THICKNESS.
POST: 3/4" [19.05]
5. INSIDE DIAMETER AT TOP OF POST: 8 11/16" [220.66]
6. OUTSIDE DIAMETER AT TOP OF POST: 9 3/4" [247.65]
7. INSIDE DIAMETER AT BOTTOM OF POST: 8 11/16" [220.66]
8. OUTSIDE DIAMETER AT BOTOM OF POST: 9 3/4" [247.65]
9. PLACEMENT OF NECKRING TO BE DETERMINED BY CUSTOMER.
10. MAXIMUM LOAD BEARING LIMITS: 10,000 Lb. (4535.9 Kg)

**FIRST CLASS
BUILDING PRODUCTS**

888-514-8141

		DIMENSIONS ARE IN INCHES (mm) TOLERANCES: FRACTIONAL ± 1/8" ANGULAR: MACH± BEND± 2 PLACE DECIMAL± THREE PLACE DECIMAL±
		MATERIAL
		FINISH
NEXT ASSY	USED ON	
APPLICATION		DO NOT SCALE DRAWING

	NAME	DATE
DRAWN	NAK	
CHECKED		
ENG APPR.		
MFG APPR.		
	Q.A.	

©COPYRIGHT
Column & Post, Inc. 2008

**10" X 8' Square Drop-Down
Recessed Panel Assembly**

SIZE	DWG. NO.	REV.
A		01
SCALE: 1/14	WEIGHT:	SHEET 1 OF 1