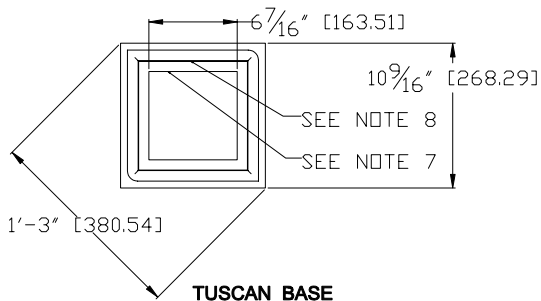
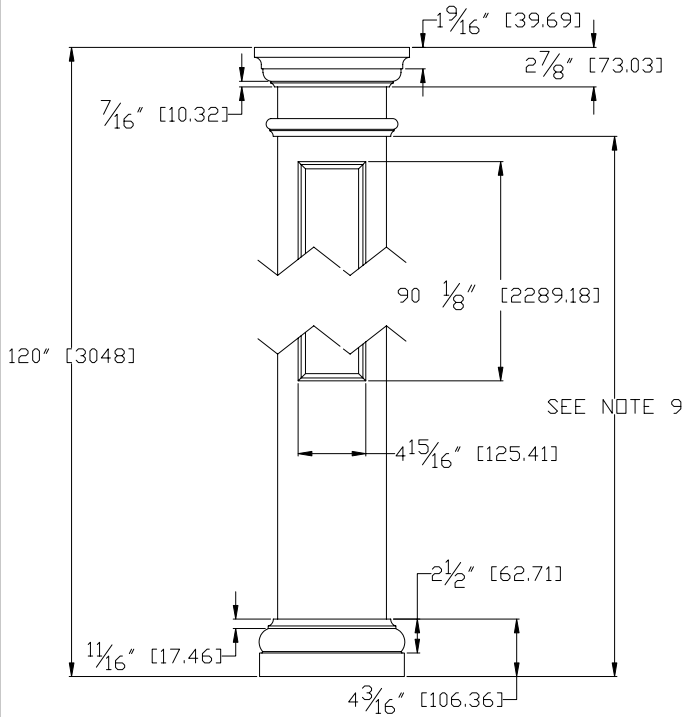
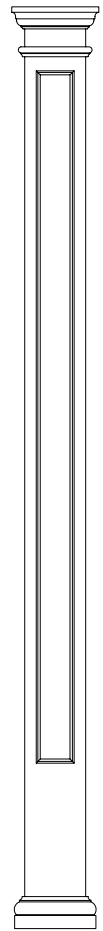
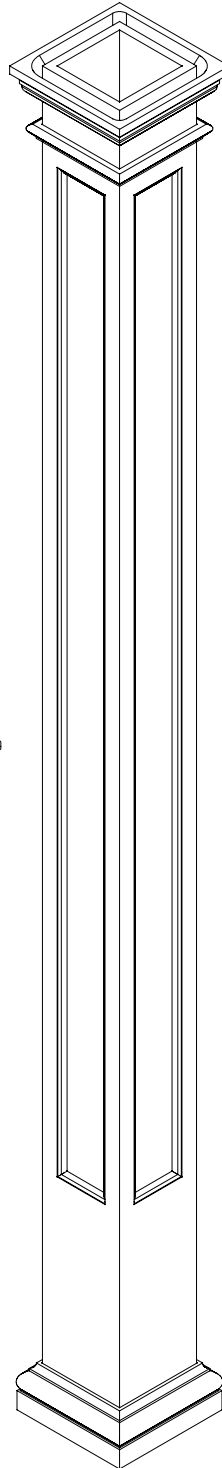


TUSCAN DROP-DOWN CAP



TUSCAN BASE



**ARCHITECTURAL VIEW
SCALE: 1/25**

NOTES:

1. DIMENSIONS WITHIN THE PARENTHESES ARE METRIC UNITS (millimeters) or (Kg=Kilograms)
2. MATERIAL: FIBERGLASS REINFORCED POLYMER (FRP)
3. WEIGHT: POST: 120 lbs. [54.43]
CAP: 4.8 lbs. [2.18]
BASE: 6.45 lbs. [2.93]
NECKRING: 1.75 lbs. [0.79]
4. MATERIAL THICKNESS.
POST: 3/4" [19.05]
5. INSIDE DIAMETER AT TOP OF POST: 6 7/16" [163.51]
6. OUTSIDE DIAMETER AT TOP OF POST: 7 15/16" [201.61]
7. INSIDE DIAMETER AT BOTTOM OF POST: 6 7/16" [163.51]
8. OUTSIDE DIAMETER AT BOTOM OF POST: 7 15/16" [201.61]
9. PLACEMENT OF COLLYRIUM TO BE DETERMINED BY CUSTOMER.
10. MAXIMUM LOAD BEARING LIMITS: 10,000 Lb. (4535.9 Kg)

**FIRST CLASS
BUILDING PRODUCTS**

888-514-8141

		DIMENSIONS ARE IN INCHES (mm) TOLERANCES: FRACTIONAL ± 1/8" ANGULAR: MACH± BEND± 2 PLACE DECIMAL± THREE PLACE DECIMAL±	NAME		DATE
			DRAWN	NAK	
		MATERIAL	CHECKED		
			ENG APPR.		
			MFG APPR.		
		FINISH	Q.A.		
NEXT ASSY	USED ON				
APPLICATION		DO NOT SCALE DRAWING			

©COPYRIGHT
Column & Post, Inc. 2008

**8" X 10' Square Drop-Down
Recessed Panel Assembly**

SIZE	DWG. NO.	REV.
A		01
SCALE: 1/14	WEIGHT:	SHEET 1 OF 1