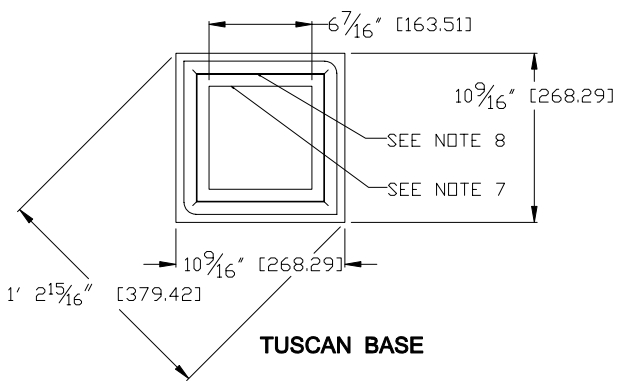
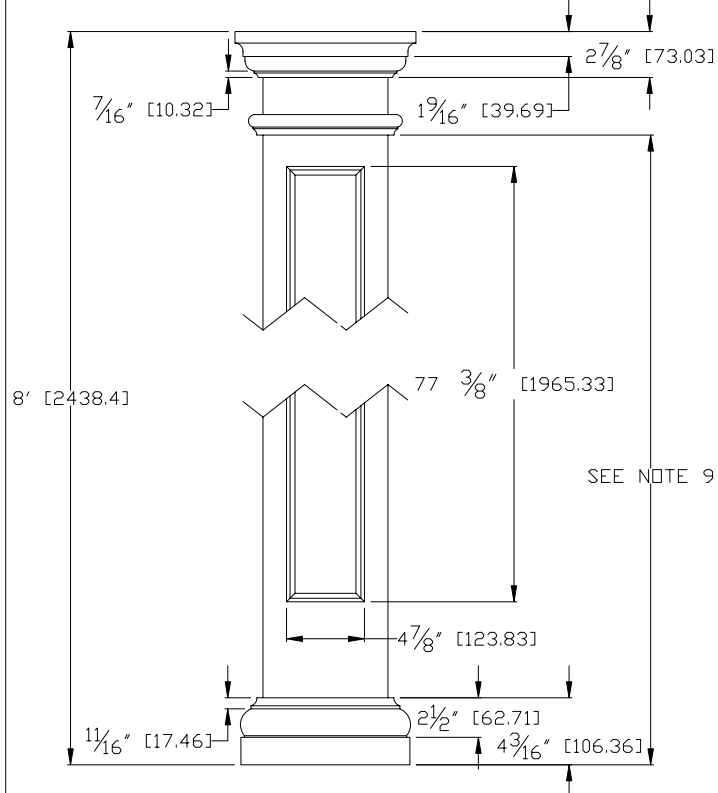
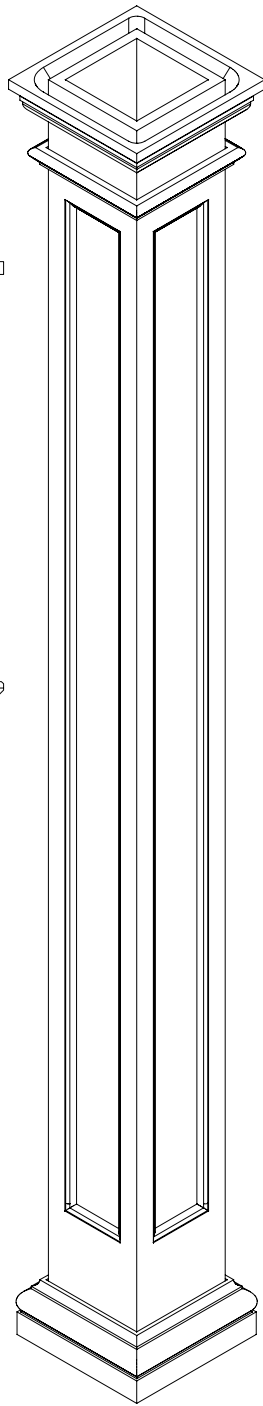


TUSCAN DROP-DOWN CAP



TUSCAN BASE



ARCHITECTURAL VIEW
SCALE: 1/25

- NOTES:**
1. DIMENSIONS WITHIN THE PARENTHESES ARE METRIC UNITS (millimeters) or (Kg=Kilograms)
 2. MATERIAL: FIBERGLASS REINFORCED POLYMER (FRP)
 3. WEIGHT: POST: 97.4 lbs. [44.17]
CAP: 4.8 lbs. [2.18]
BASE: 6.45 lbs. [2.93]
NECKRING: 1.75 lbs. [0.79]
 4. MATERIAL THICKNESS.
POST: 3/4" [19.05]
 5. INSIDE DIAMETER AT TOP OF POST: 6 7/16" [163.51]
 6. OUTSIDE DIAMETER AT TOP OF POST: 7 15/16" [201.61]
 7. INSIDE DIAMETER AT BOTTOM OF POST: 6 7/16" [163.51]
 8. OUTSIDE DIAMETER AT BOTOM OF POST: 7 15/16" [201.61]
 9. PLACEMENT OF NECKRING TO BE DETERMINED BY CUSTOMER.
 10. MAXIMUM LOAD BEARING LIMITS: 10,000 Lb. (4535.9 Kg)

FIRST CLASS BUILDING PRODUCTS
888-514-8141

| | | | |
|-------------|---------|---|--|
| | | DIMENSIONS ARE IN INCHES (mm) | |
| | | TOLERANCES: FRACTIONAL ± 1/8" ANGULAR: MACH± BEND± 2 PLACE DECIMAL± THREE PLACE DECIMAL± | |
| | | MATERIAL | |
| | | FINISH | |
| NEXT ASSY | USED ON | | |
| APPLICATION | | DO NOT SCALE DRAWING | |

| | | |
|-----------|------|------|
| | NAME | DATE |
| DRAWN | NAK | |
| CHECKED | | |
| ENG APPR. | | |
| MFG APPR. | | |
| | Q.A. | |

| | |
|---|-----------|
| ©COPYRIGHT Column & Post, Inc. 2008 | |
| 8" X 8' Square Drop-Down Recessed Panel Assembly | |
| SIZE DWG. NO. | REV. |
| A | 01 |
| SCALE: 1/12 | WEIGHT: |
| SHEET 1 OF 1 | |