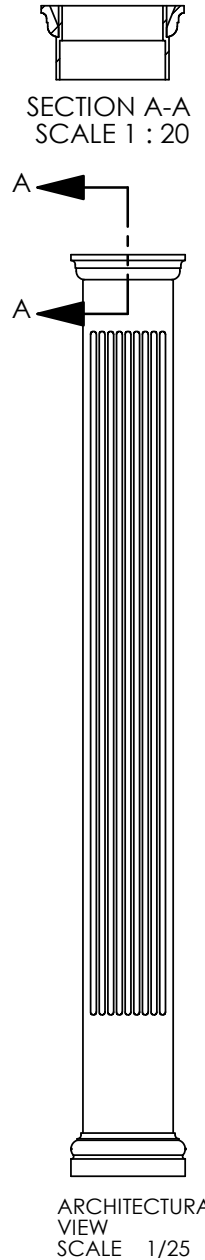
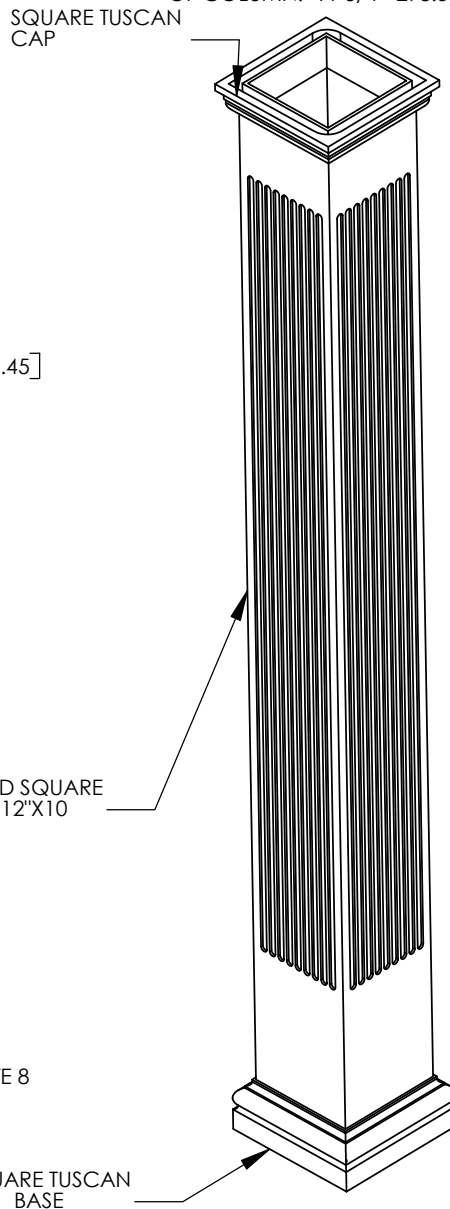
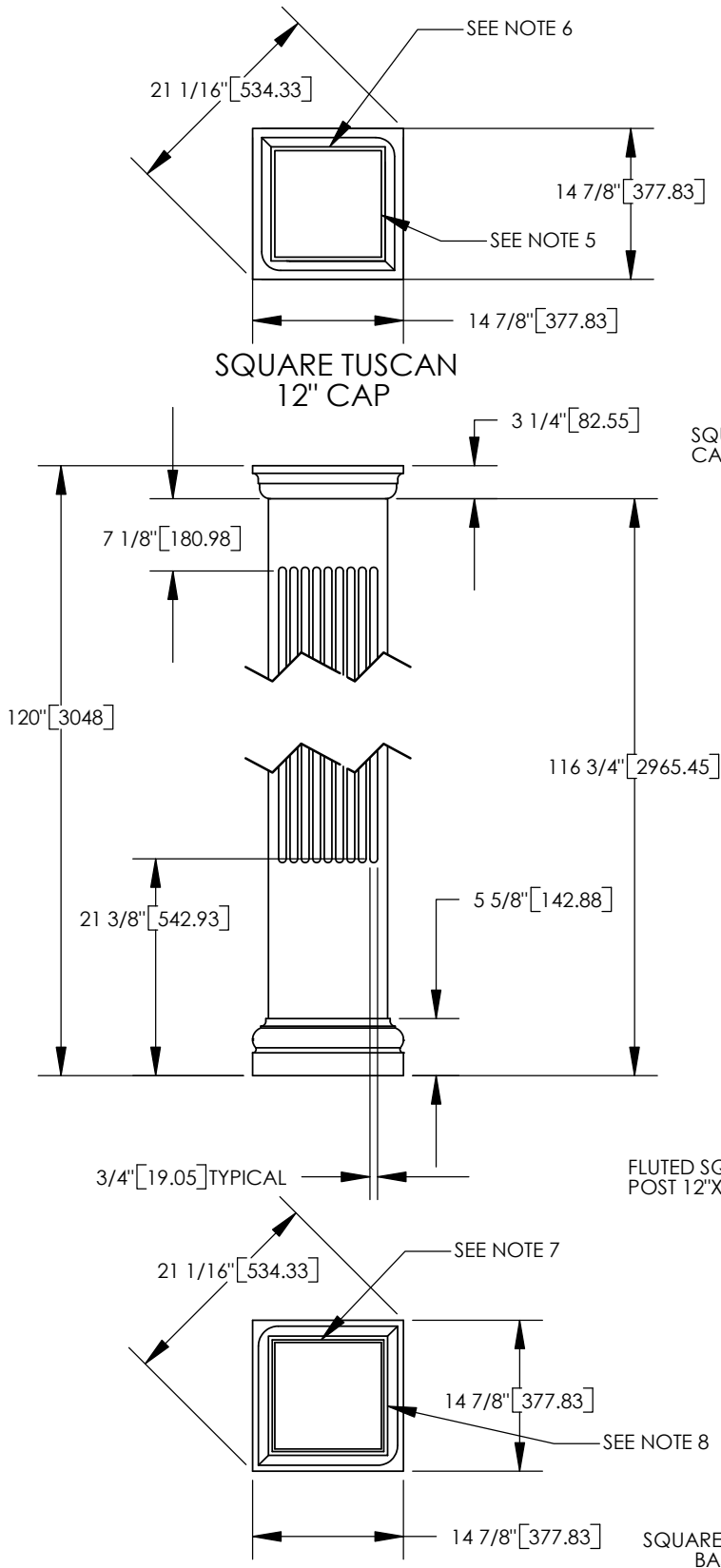


- NOTES:
1. DIMENSIONS WITHIN THE PARENTHESES ARE METRIC UNITS (millimeters) or (Kg=Kilograms)
 2. MATERIAL: FIBERGLASS REINFORCED POLYMER (FRP)
 3. WEIGHT. COLUMN:
CAP:
BASE:
 4. MATERIAL THICKNESS.
COLUMN: 3/8" (9.5)
 5. INSIDE DIMENSION AT TOP OF COLUMN: 10 1/2" (266.7)
 6. OUTSIDE DIMENSION AT TOP OF COLUMN: 11 1/4" (285.8)
 7. INSIDE DIMENSION AT BOTTOM OF COLUMN: 11" (279.4)
 8. OUTSIDE DIMENSION AT BOTTOM OF COLUMN: 11 3/4" (298.5)



SQUARE TUSCAN
12" BASE

FIRST CLASS
BUILDING PRODUCTS

888-514-8141

		DIMENSIONS ARE IN INCHES (mm) TOLERANCES: FRACTIONAL ± 1/8" ANGULAR: MACH ± BEND ± TWO PLACE DECIMAL ± THREE PLACE DECIMAL ±	
		MATERIAL	
		FINISH	
NEXT ASSY	USED ON		
APPLICATION		DO NOT SCALE DRAWING	

NAME	DATE
DRAWN SOF	05/05/08
CHECKED RK	
ENG APPR. RK	
MFG APPR. RK	
Q.A. RK	
COMMENTS:	

©	
12"X 10' SQUARE FLUTED POST ASSEMBLY	
SIZE A	DWG. NO.
SCALE: 1/18	SHEET 1 OF 1
REV. 02	