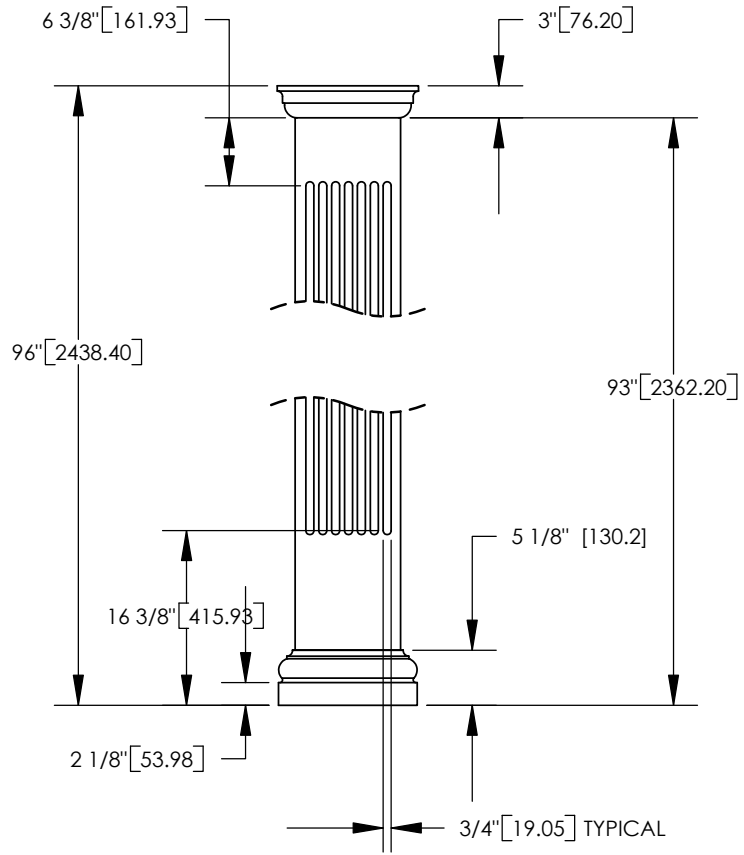
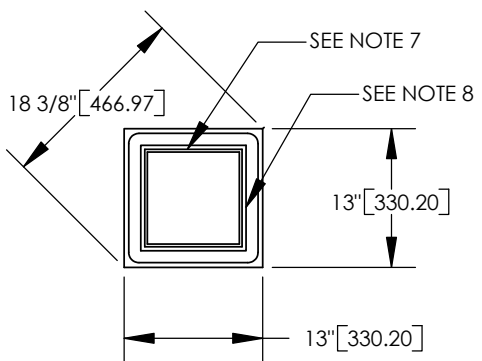


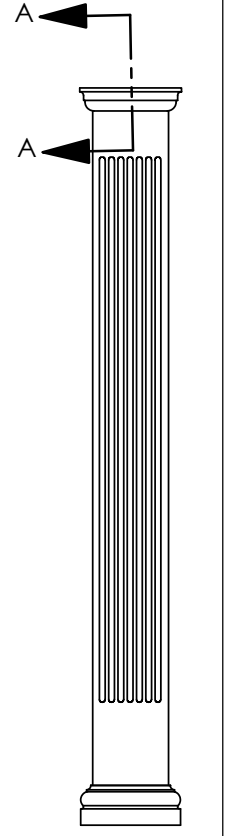
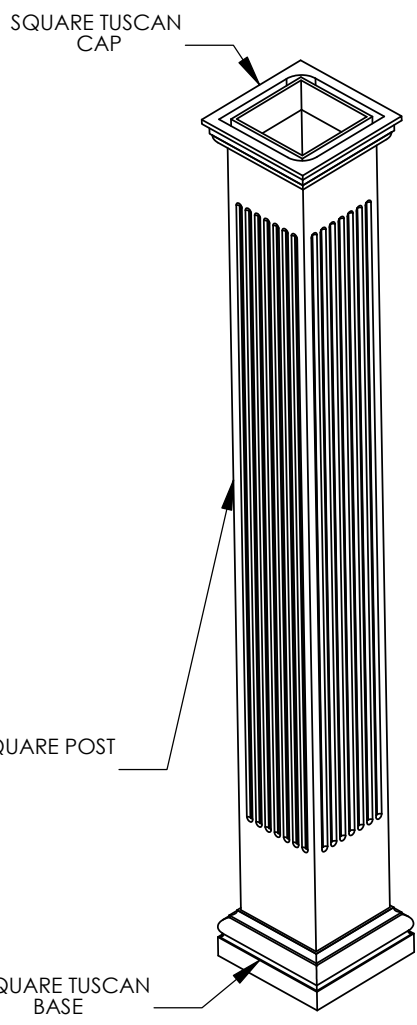
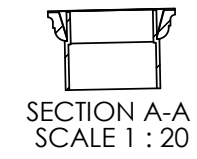
SQUARE TUSCAN
10" CAP



SQUARE TUSCAN
10" BASE



- NOTES:
1. DIMENSIONS WITHIN THE PARENTHESES ARE METRIC UNITS (millimeters) or (Kg=Kilograms)
 2. MATERIAL: FIBERGLASS REINFORCED POLYMER (FRP)
 3. WEIGHT. COLUMN:
CAP:
BASE:
 4. MATERIAL THICKNESS.
COLUMN: 3/8" (9.5)
 5. INSIDE DIMENSION AT TOP OF COLUMN: 8 5/8" (219.1)
 6. OUTSIDE DIMENSION AT TOP OF COLUMN: 9 3/8" (238.1)
 7. INSIDE DIMENSION AT BOTTOM OF COLUMN: 9 1/8" (231.8)
 8. OUTSIDE DIMENSION AT BOTTOM OF COLUMN: 9 7/8" (250.8)



ARCHITECTURAL
VIEW
SCALE 1/25

FIRST CLASS
BUILDING PRODUCTS
888-514-8141

		DIMENSIONS ARE IN INCHES (mm) TOLERANCES: FRACTIONAL ± 1/8" ANGULAR: MACH ± BEND ± TWO PLACE DECIMAL ± THREE PLACE DECIMAL ±		
		MATERIAL		
NEXT ASSY	USED ON	FINISH		
APPLICATION		DO NOT SCALE DRAWING		

	NAME	DATE
DRAWN	SOF	05/05/08
CHECKED	RK	
ENG APPR	RK	
MFG APPR	RK	
Q.A.	RK	
COMMENTS:		

©		10"X 8' SQUARE FLUTED POST ASSEMBLY	
SIZE	DWG. NO.		
A		02	
SCALE: 1/18	WEIGHT:	SHEET 1 OF 1	