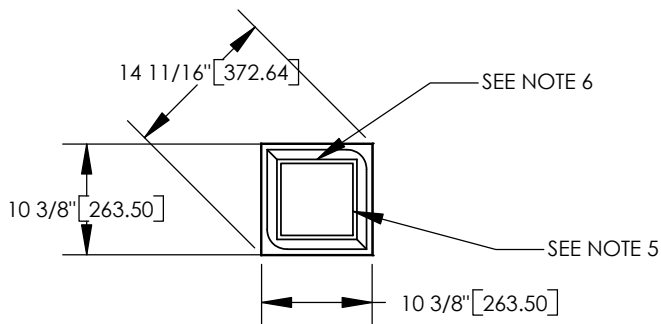
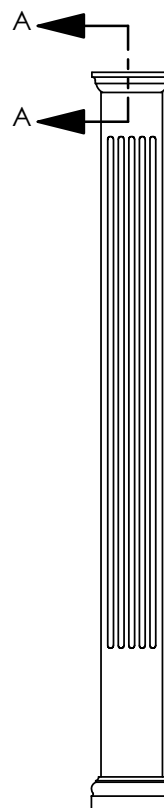
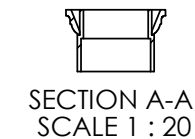
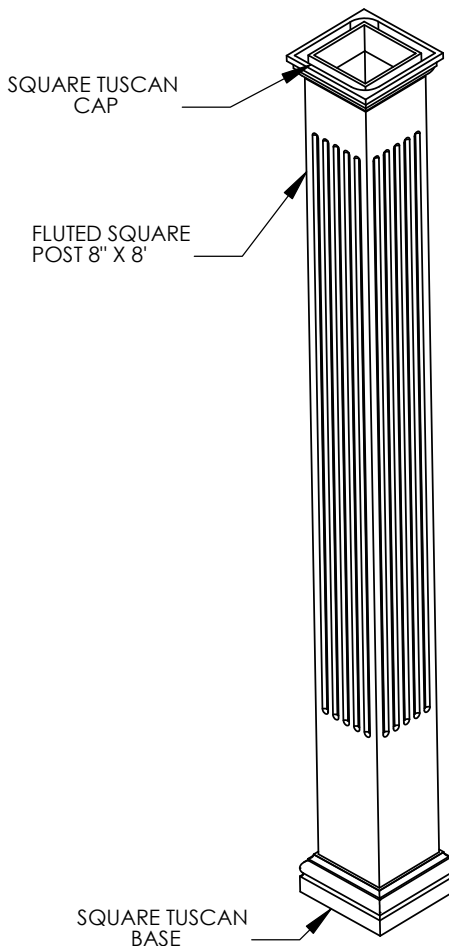
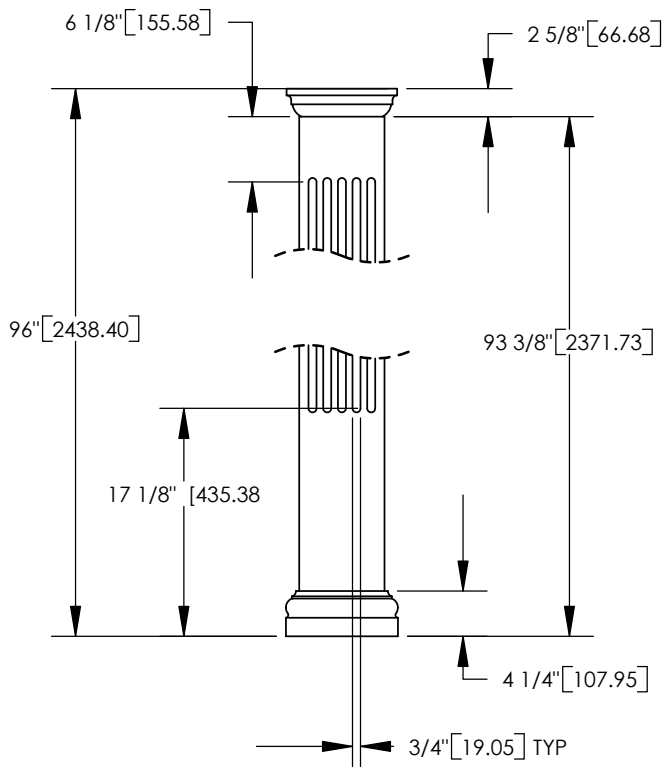


NOTES:

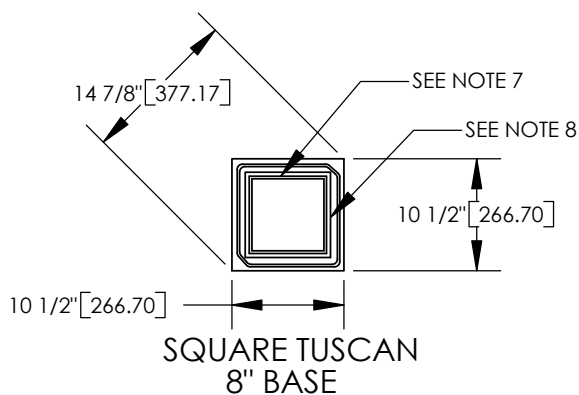
1. DIMENSIONS WITHIN THE PARENTHESES ARE METRIC UNITS (millimeters) or (Kg=Kilograms)
2. MATERIAL: FIBERGLASS REINFORCED POLYMER (FRP)
3. WEIGHT. COLUMN:  
CAP:  
BASE:
4. MATERIAL THICKNESS.  
COLUMN: 3/8" (9.5)
5. INSIDE DIMENSION AT TOP OF COLUMN: 6 3/4" (171.5)
6. OUTSIDE DIMENSION AT TOP OF COLUMN: 7 1/2" (190.5)
7. INSIDE DIMENSION AT BOTTOM OF COLUMN: 7 1/4" (184.2)
8. OUTSIDE DIMENSION AT BOTTOM OF COLUMN: 8" (203.2)



8" SQUARE TUSCAN CAP



ARCHITECTURAL VIEW SCALE 1/25



SQUARE TUSCAN 8" BASE

**FIRST CLASS BUILDING PRODUCTS**

888-514-8141

|             |         |  |                      |  |
|-------------|---------|--|----------------------|--|
|             |         | DIMENSIONS ARE IN INCHES (mm)<br>TOLERANCES:<br>FRACTIONAL ± 1/8"<br>ANGULAR: MACH ±<br>BEND ±<br>TWO PLACE DECIMAL ±<br>THREE PLACE DECIMAL ± |                      |  |
|             |         |  | MATERIAL             |  |
| NEXT ASSY   | USED ON |  | FINISH               |  |
| APPLICATION |         |  | DO NOT SCALE DRAWING |  |

|           |      |          |
|-----------|------|----------|
|           | NAME | DATE     |
| DRAWN     | SOF  | 05/05/08 |
| CHECKED   | RK   |          |
| ENG APPR. | RK   |          |
| MFG APPR. | RK   |          |
| Q.A.      | RK   |          |
| COMMENTS: |      |          |

|             |          |   |  |           |
|-------------|----------|---|--|-----------|
| ©           |          | <b>8"X 8' SQUARE FLUTED POST ASSEMBLY</b> |  |           |
| SIZE        | DWG. NO. |   |  | REV.      |
| <b>A</b>    |          |   |  | <b>02</b> |
| SCALE: 1/18 | WEIGHT:  | SHEET 1 OF 1                              |  |           |