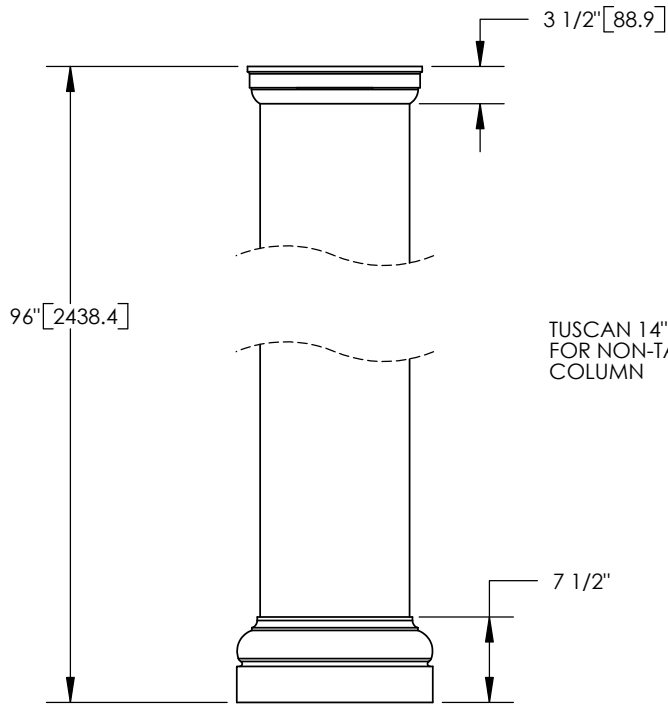


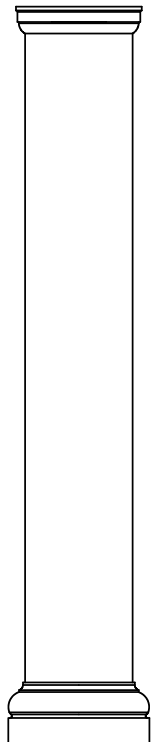
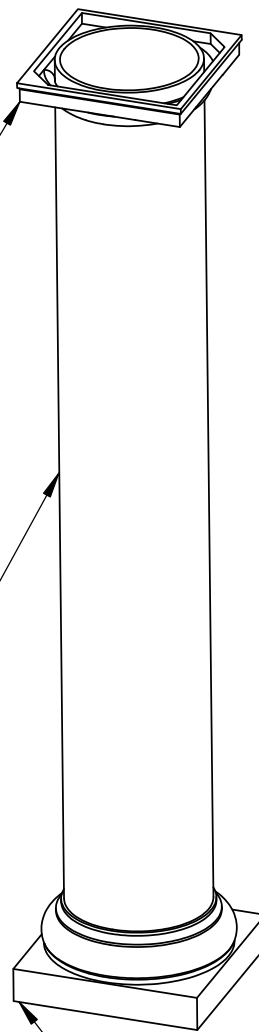
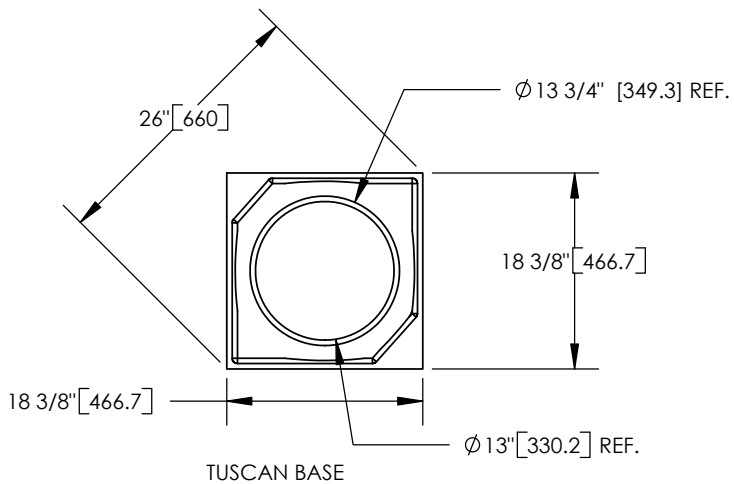
NOTES:

1. DIMENSIONS WITHIN THE PARENTHESES ARE METRIC UNITS (millimeters) OR (Kg=Kilograms)
2. MATERIAL: FIBERGLASS REINFORCED POLYMER (FRP)
3. WEIGHT. COLUMN:
CAP:
BASE:
4. MATERIAL THICKNESS: 3/8" (9.5)
5. MAXIMUM LOAD BEARING LIMITS: 20000 Lb. (9072 Kg.)



TUSCAN 14" CAP FOR NON-TAPERED COLUMN

14"x8' NON-TAPERED COLUMN



FIRST CLASS BUILDING PRODUCTS

888-514-8141

		DIMENSIONS ARE IN INCHES TOLERANCES: FRACTIONAL \pm 1/8" ANGULAR: MACH \pm BEND \pm TWO PLACE DECIMAL \pm THREE PLACE DECIMAL \pm	NAME	DATE	©COPYRIGHT 14"x 8' TUSCAN NON-TAPERED COLUMN ASSEMBLY	
			DRAWN	SOF		05/05/08
			CHECKED	RK		
			ENG APPR.	RK		
			MFG APPR.	RK		
		MATERIAL	Q.A.	RK		
		FINISH	COMMENTS:			
NEXT ASSY	USED ON				SIZE DWG. NO.	
APPLICATION	DO NOT SCALE DRAWING				SCALE: 1:18	
					REV. 02	
					SHEET 1 OF 1	