

TUSCAN 12" CAP
FOR NON-TAPERED
COLUMN

15 3/8" [390.5]

20 1/8" [511.9]

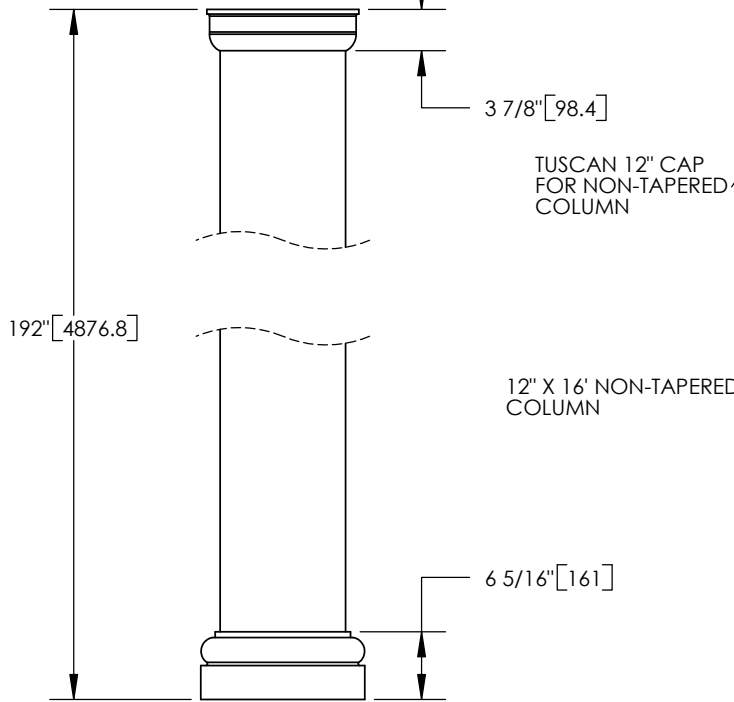
ϕ 11 3/4" [298.5]
COLUMN OUTSIDE DIAMETER

ϕ 11" [279.4].
COLUMN INSIDE DIAMETER

14 1/4" [362]

NOTES:

1. DIMENSIONS WITHIN THE PARENTHESES ARE METRIC UNITS (millimeters) OR (Kg=Kilograms)
2. MATERIAL: FIBERGLASS REINFORCED POLYMER (FRP)
3. WEIGHT. COLUMN: 230Lb. (104.3 Kg)
CAP: 11Lb. (5.0 Kg.)
BASE: 17b. (7.7kG.)
4. MATERIAL THICKNESS: 3/8" (9.5)
5. MAXIMUM LOAD BEARING LIMITS: 20000 Lb. (9071.8 Kg.)



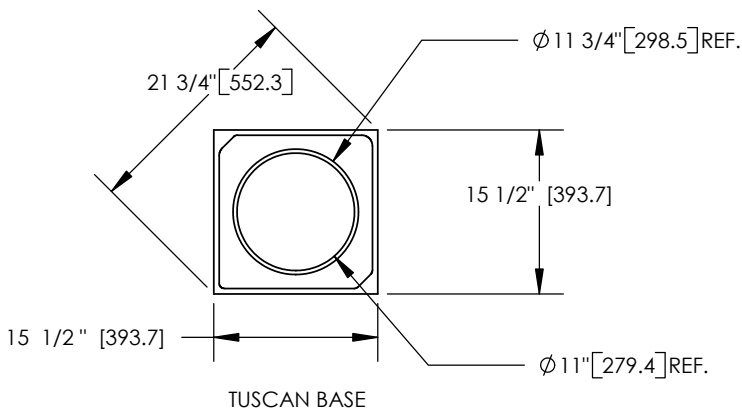
192" [4876.8]

3 7/8" [98.4]

TUSCAN 12" CAP
FOR NON-TAPERED
COLUMN

12" X 16" NON-TAPERED
COLUMN

6 5/16" [161]



21 3/4" [552.3]

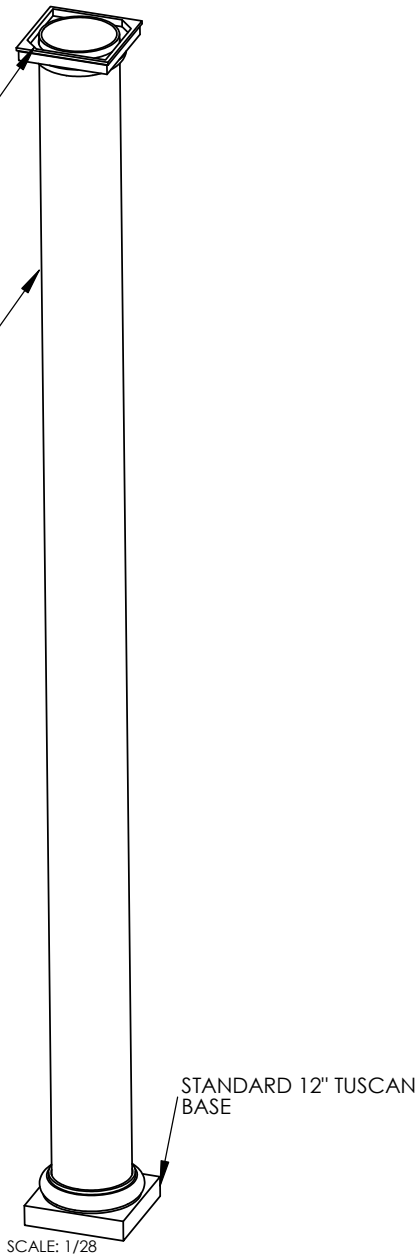
ϕ 11 3/4" [298.5] REF.

15 1/2" [393.7]

15 1/2" [393.7]

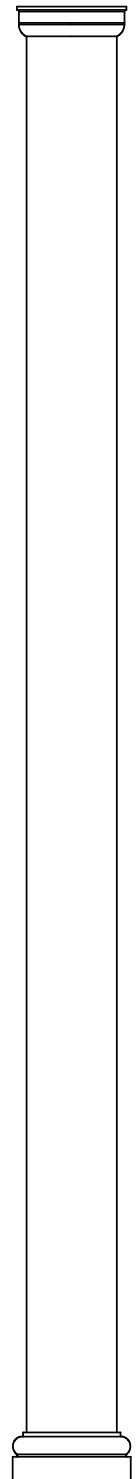
ϕ 11" [279.4] REF.

TUSCAN BASE



SCALE: 1/28

STANDARD 12" TUSCAN
BASE



ARCHITECTURAL
VIEW
SCALE: 1/25

FIRST CLASS
BUILDING PRODUCTS
888-514-8141

		DIMENSIONS ARE IN INCHES TOLERANCES: FRACTIONAL \pm 1/8" ANGULAR: MACH \pm BEND \pm TWO PLACE DECIMAL \pm THREE PLACE DECIMAL \pm		NAME	DATE
			DRAWN	SOF	05/05/08
			CHECKED	RK	
			ENG APPR.	RK	
			MFG APPR.	RK	
		MATERIAL		Q.A.	RK
		FINISH	COMMENTS:		
NEXT ASSY	USED ON	APPLICATION	DO NOT SCALE DRAWING		

©COPYRIGHT

**12"x 16" TUSCAN NON-TAPERED
COLUMN ASSEMBLY**

SIZE	DWG. NO.	REV.
A		02
SCALE: 1:18		SHEET 1 OF 1