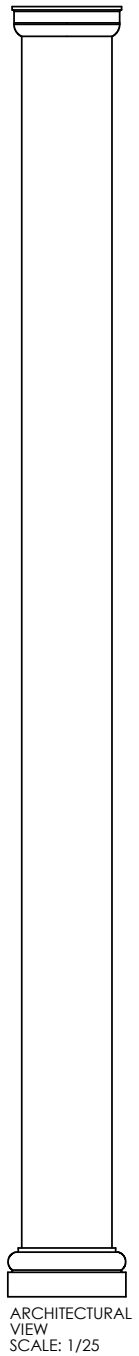
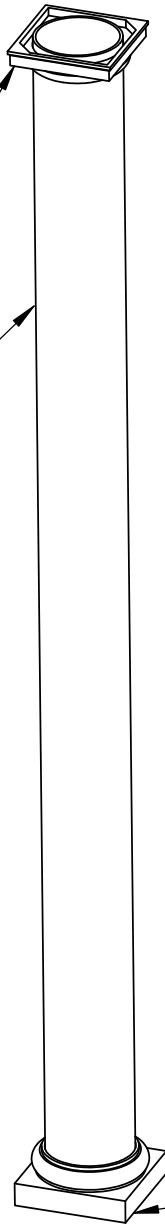
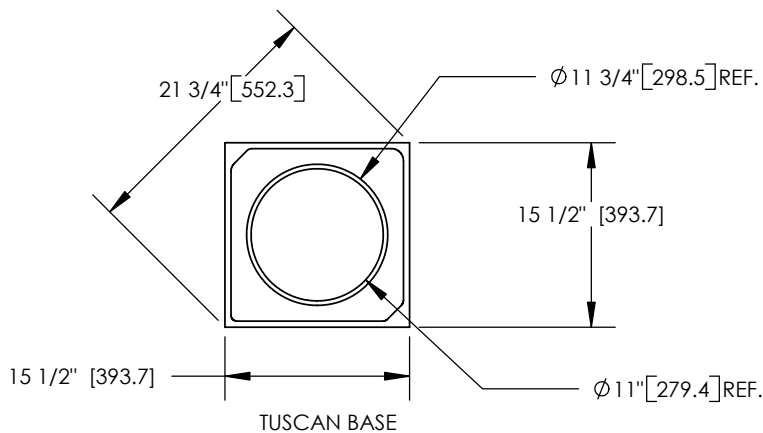
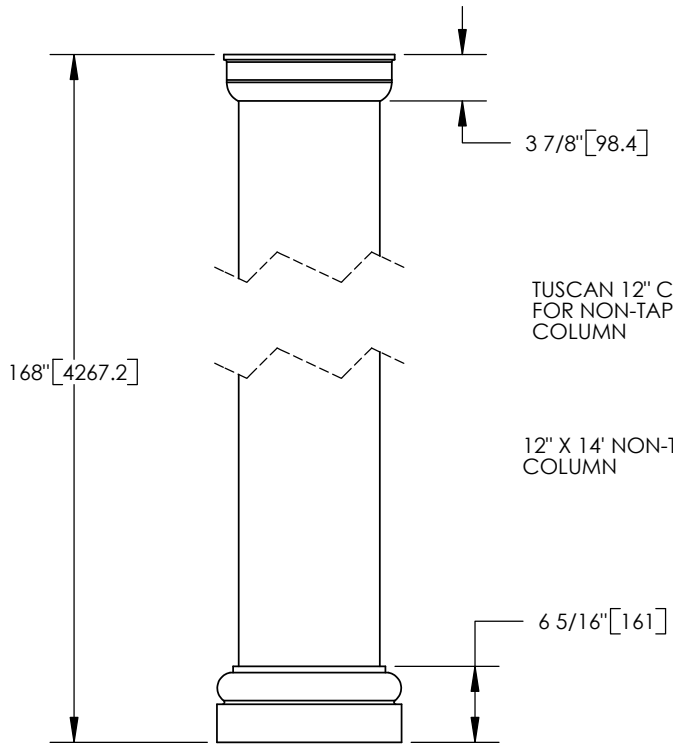


- NOTES:
1. DIMENSIONS WITHIN THE PARENTHESES ARE METRIC UNITS (millimeters) OR (Kg=Kilograms)
 2. MATERIAL: FIBERGLASS REINFORCED POLYMER (FRP)
 3. WEIGHT. COLUMN: 210Lb. ((95.3 Kg)
 CAP: 11Lb. (5.0 Kg.)
 BASE: 17Lb. (7.7Kg.)
 4. MATERIAL THICKNESS: 3/8" (9.5)
 5. MAXIMUM LOAD BEARING LIMITS: 20000 Lb. (9071.8Kg.)



FIRST CLASS BUILDING PRODUCTS

888-514-8141

		DIMENSIONS ARE IN INCHES TOLERANCES: FRACTIONAL $\pm 1/8$ " ANGULAR: MACH \pm BEND \pm TWO PLACE DECIMAL \pm THREE PLACE DECIMAL \pm		
			MATERIAL	
NEXT ASSY	USED ON		FINISH	
APPLICATION			DO NOT SCALE DRAWING	

	NAME	DATE
DRAWN	SOF	05/05/08
CHECKED	RK	
ENG APPR.	RK	
MFG APPR.	RK	
Q.A.	RK	
COMMENTS:		

©COPYRIGHT	
12"x 14" TUSCAN NON-TAPERED COLUMN ASSEMBLY	
SIZE A	DWG. NO.
SCALE: 1:16	SHEET 1 OF 1

REV. 02