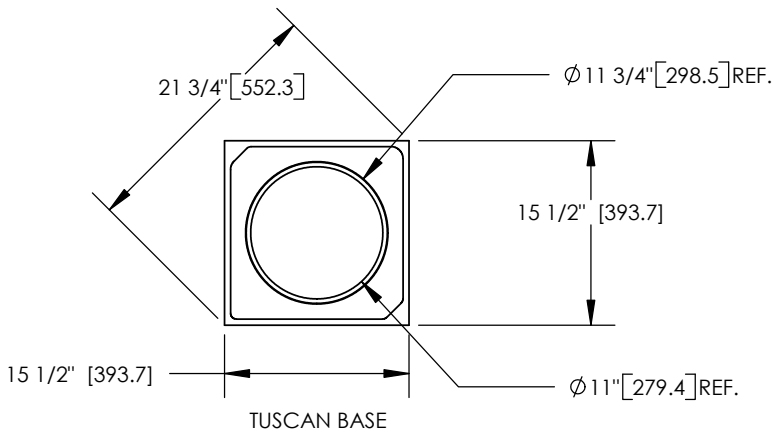
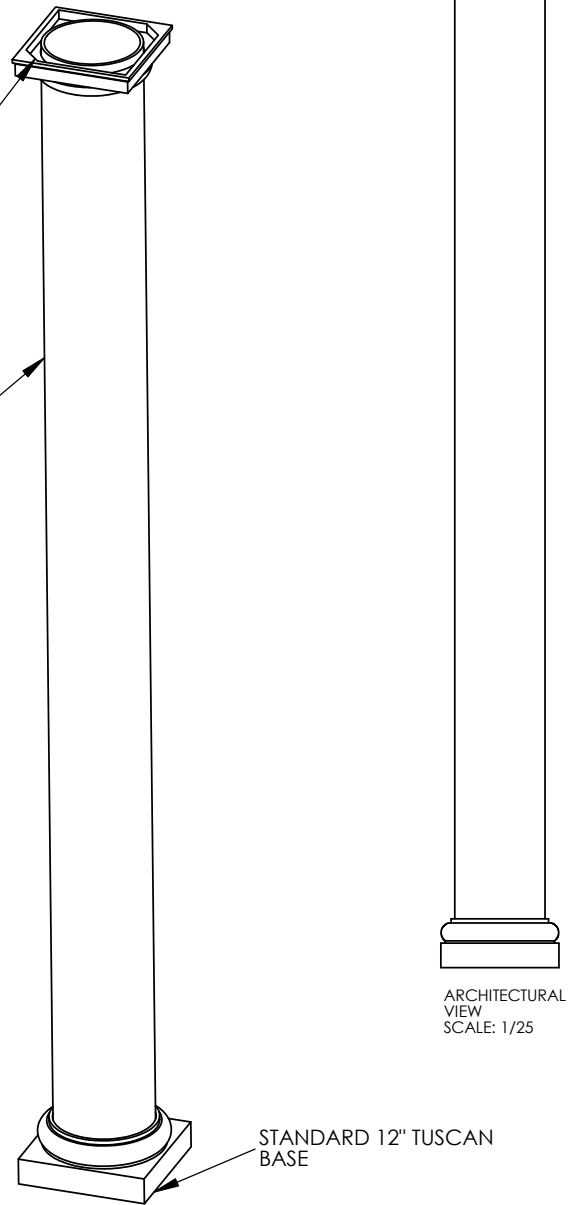
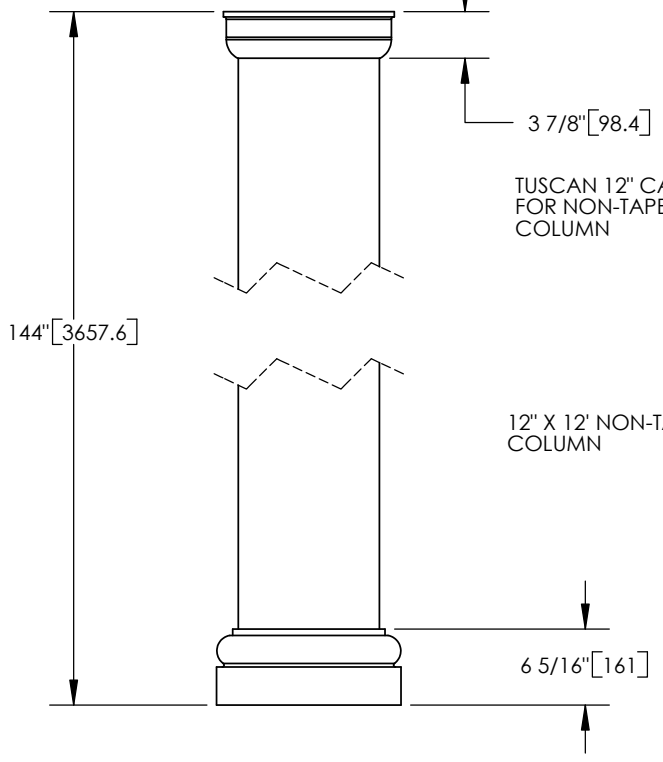


- NOTES:
1. DIMENSIONS WITHIN THE PARENTHESES ARE METRIC UNITS (millimeters) OR (Kg=Kilograms)
  2. MATERIAL: FIBERGLASS REINFORCED POLYMER (FRP)
  3. WEIGHT. COLUMN: 150Lb. ((68 Kg)  
 CAP: 11Lb. (5.0 Kg.)  
 BASE: 17Lb. (7.7Kg.)
  4. MATERIAL THICKNESS: 3/8" (9.5)
  5. MAXIMUM LOAD BEARING LIMITS: 18000 Lb. (8164.7 Kg.)



**FIRST CLASS**  
**BUILDING PRODUCTS**  
 888-514-8141

		DIMENSIONS ARE IN INCHES TOLERANCES: FRACTIONAL $\pm 1/8"$ ANGULAR: MACH $\pm$ BEND $\pm$ TWO PLACE DECIMAL $\pm$ THREE PLACE DECIMAL $\pm$	NAME	DATE	©COPYRIGHT  <b>12"x 12" TUSCAN NON-TAPERED COLUMN ASSEMBLY</b>	
			DRAWN	SOF		05/05/08
			CHECKED	RK		
			ENG APPR.	RK		
			MFG APPR.	RK		
		MATERIAL		Q.A.	RK	
		FINISH		COMMENTS:		
NEXT ASSY	USED ON					
APPLICATION		DO NOT SCALE DRAWING				
SIZE	DWG. NO.			REV.		
<b>A</b>				02		
SCALE: 1:16					SHEET 1 OF 1	