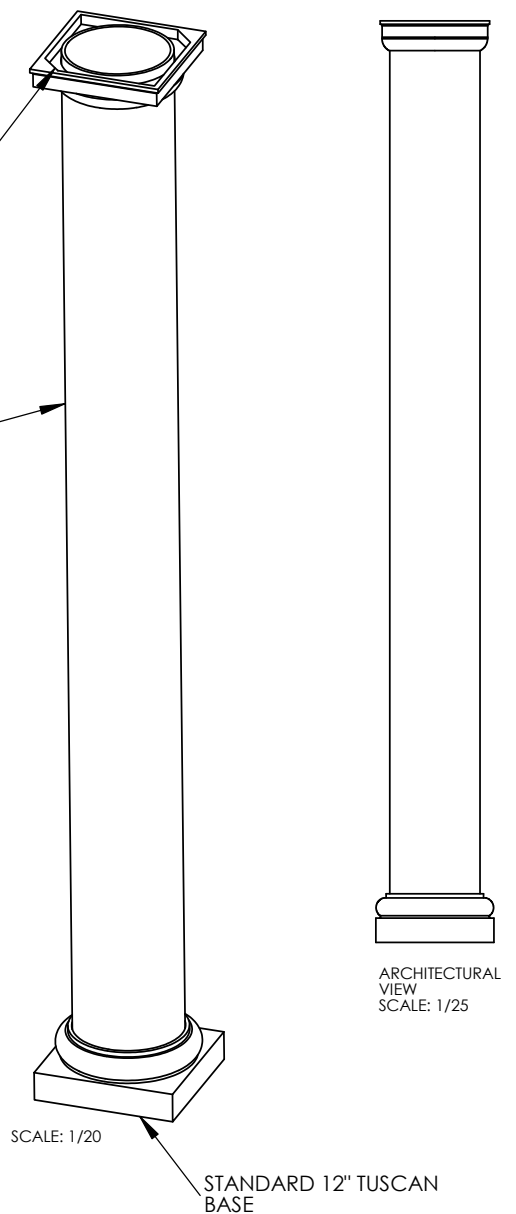
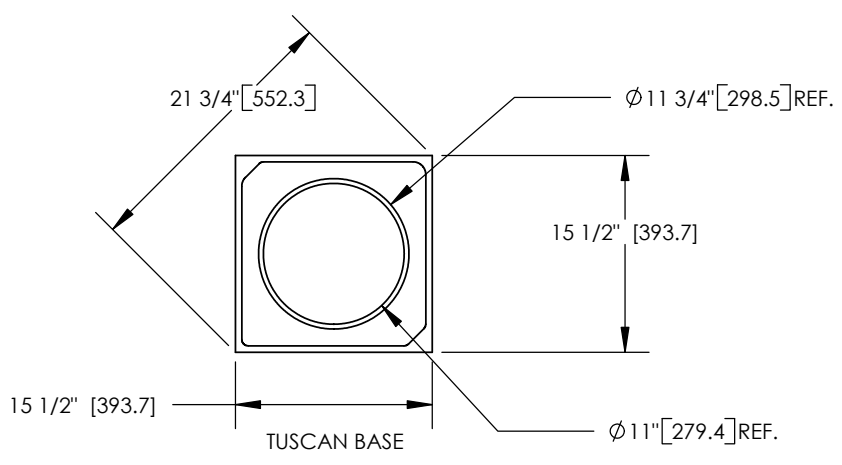


- NOTES:
1. DIMENSIONS WITHIN THE PARENTHESES ARE METRIC UNITS (millimeters) OR (Kg=Kilograms)
 2. MATERIAL: FIBERGLASS REINFORCED POLYMER (FRP)
 3. WEIGHT. COLUMN: 128Lb. ((58 Kg)
 CAP: 11Lb. (5.0 Kg.)
 BASE: 17b. (7.7Kg.)
 4. MATERIAL THICKNESS: 3/8" (9.5)
 5. MAXIMUM LOAD BEARING LIMITS: 18000 Lb. (8164.7 Kg.)



FIRST CLASS
BUILDING PRODUCTS
 888-514-8141

		DIMENSIONS ARE IN INCHES TOLERANCES: FRACTIONAL $\pm 1/8$ " ANGULAR: MACH \pm BEND \pm TWO PLACE DECIMAL \pm THREE PLACE DECIMAL \pm	NAME	DATE	©COPYRIGHT 12"x 10' TUSCAN NON-TAPERED COLUMN ASSEMBLY
			DRAWN	SOF 05/05/08	
			CHECKED	RK	
			ENG APPR.	RK	
			MFG APPR.	RK	
		MATERIAL	Q.A.	RK	
		FINISH	COMMENTS:		
NEXT ASSY	USED ON			SCALE: 1:15	REV. 02
APPLICATION	DO NOT SCALE DRAWING			SHEET 1 OF 1	