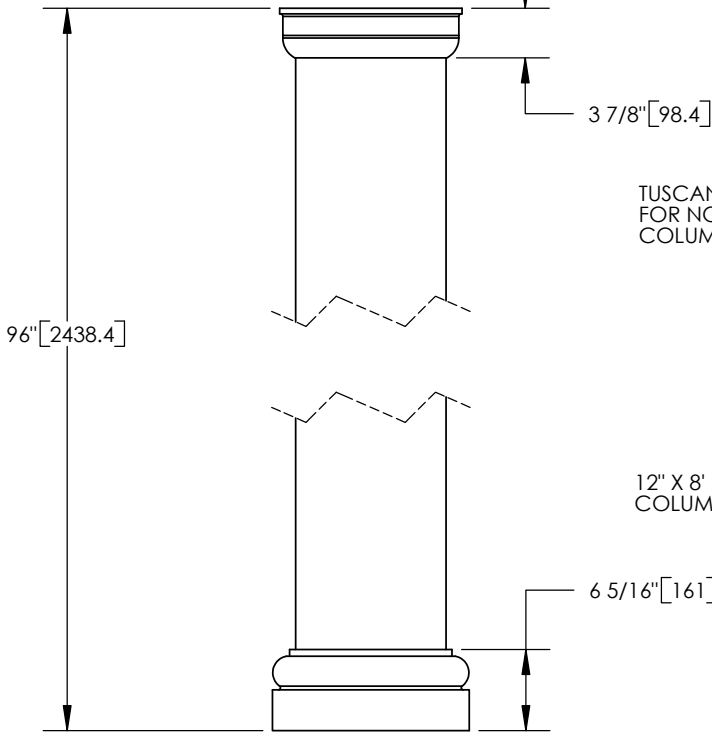
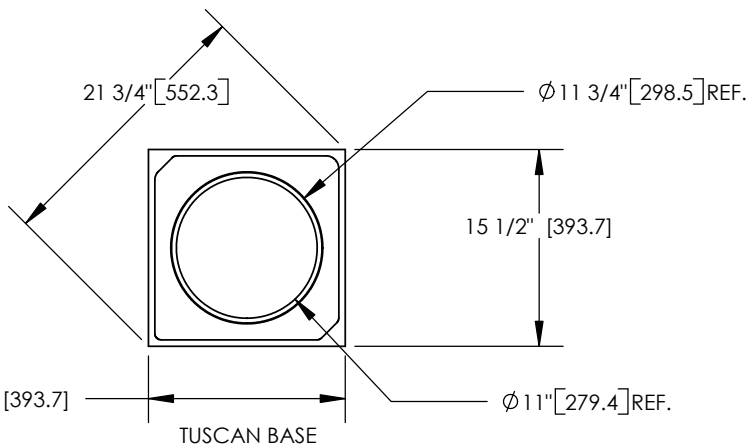


- NOTES:
1. DIMENSIONS WITHIN THE PARENTHESES ARE METRIC UNITS (millimeters) OR (Kg=Kilograms)
  2. MATERIAL: FIBERGLASS REINFORCED POLYMER (FRP)
  3. WEIGHT. COLUMN: 90Lb. (40.8 Kg)  
CAP: 11Lb. (5.0 Kg.)  
BASE: 17Lb. (7.7 Kg.)
  4. MATERIAL THICKNESS: 3/8" (9.5)
  5. MAXIMUM LOAD BEARING LIMITS: 18000 Lb. (8164.7 Kg.)

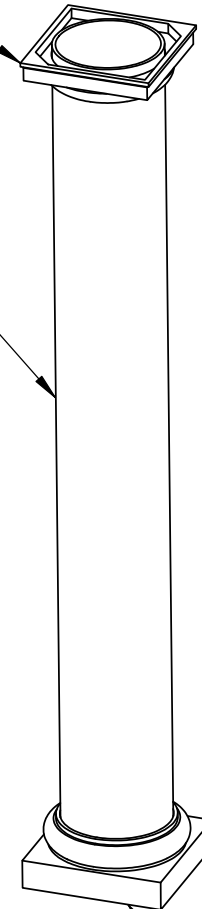


TUSCAN 12" CAP FOR NON-TAPERED COLUMN

12" X 8' NON-TAPERED COLUMN

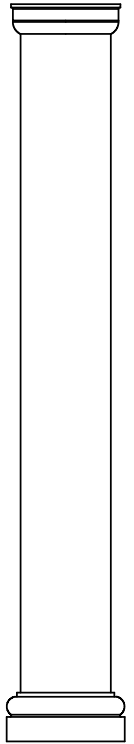


TUSCAN BASE



SCALE: 1/20

STANDARD 12" TUSCAN BASE



ARCHITECTURAL VIEW  
SCALE: 1/25

**FIRST CLASS  
BUILDING PRODUCTS**

888-514-8141

		DIMENSIONS ARE IN INCHES TOLERANCES: FRACTIONAL $\pm 1/8"$ ANGULAR: MACH $\pm$ BEND $\pm$ TWO PLACE DECIMAL $\pm$ THREE PLACE DECIMAL $\pm$		NAME	DATE
			DRAWN	SOF	05/05/08
			CHECKED	RK	
			ENG APPR.	RK	
			MFG APPR.	RK	
		MATERIAL	Q.A.	RK	
		FINISH	COMMENTS:		
NEXT ASSY	USED ON				
APPLICATION		DO NOT SCALE DRAWING			

©COPYRIGHT

12"x 8' TUSCAN NON-TAPERED  
COLUMN ASSEMBLY

SIZE	DWG. NO.	REV.
<b>A</b>		02
SCALE: 1:15	SHEET 1 OF 1	