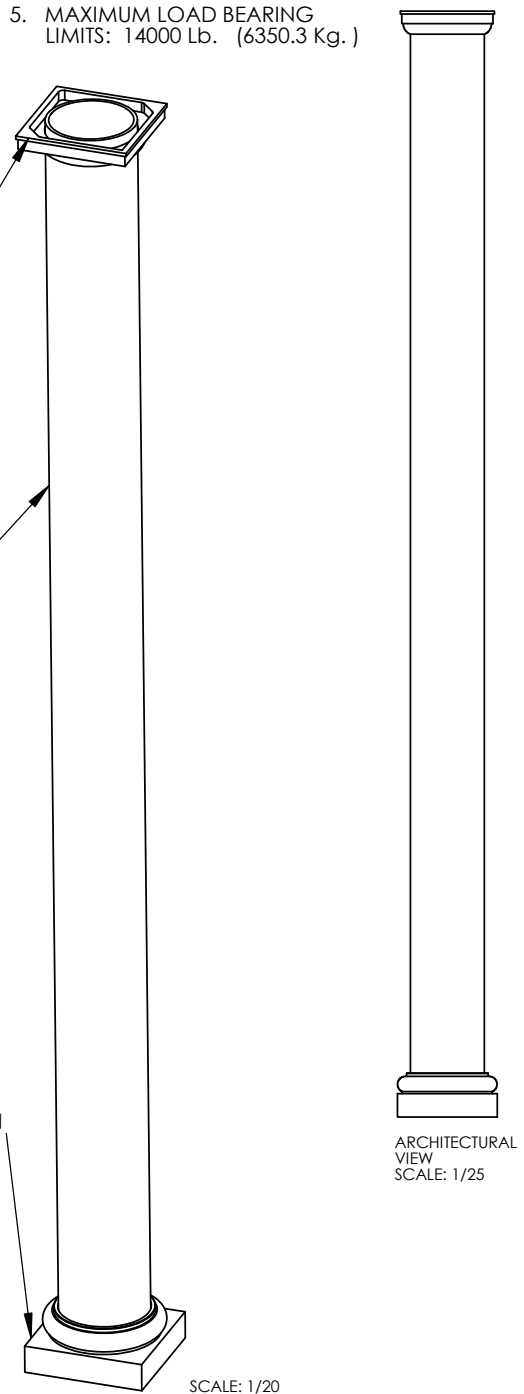
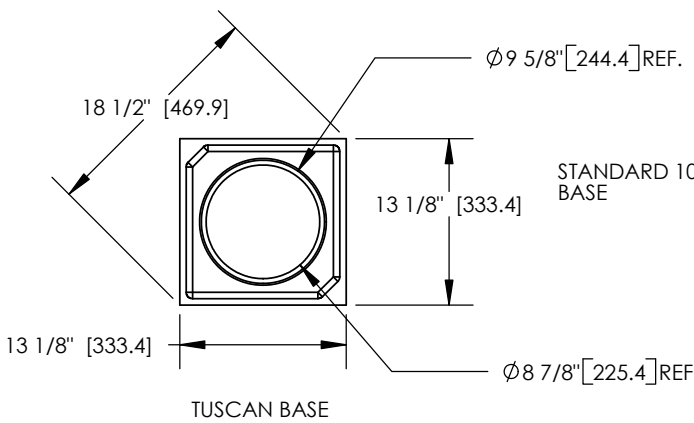
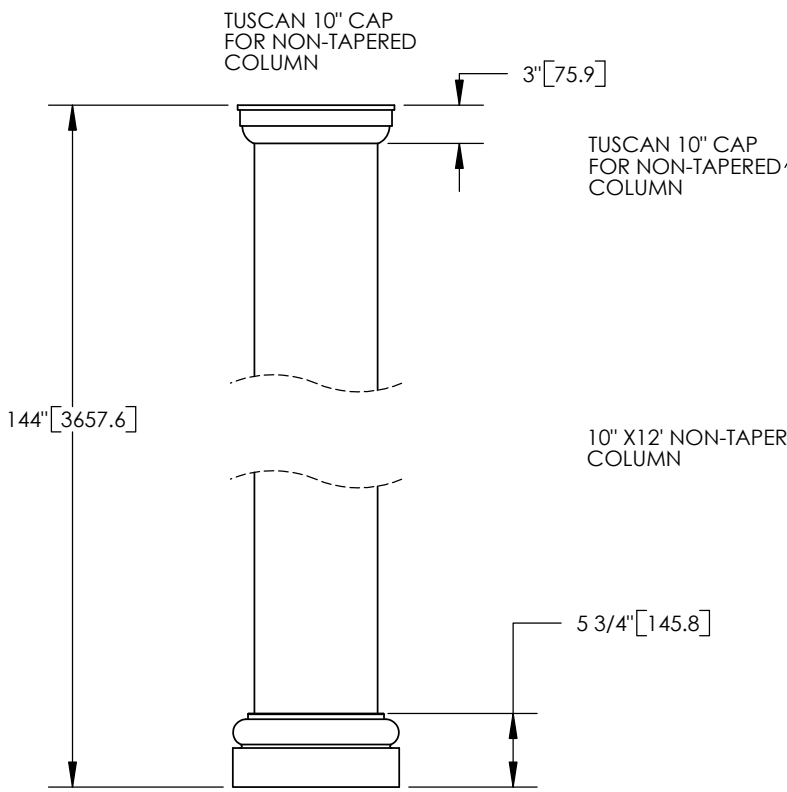


- NOTES:
1. DIMENSIONS WITHIN THE PARENTHESES ARE METRIC UNITS (millimeters) OR (Kg=Kilograms)
 2. MATERIAL: FIBERGLASS REINFORCED POLYMER (FRP)
 3. WEIGHT. COLUMN: 130Lb. (58.9 Kg)
CAP: 8Lb. (3.6 Kg.)
BASE: 15Lb. (6.8 Kg.)
 4. MATERIAL THICKNESS: 3/3" (9.5)
 5. MAXIMUM LOAD BEARING LIMITS: 14000 Lb. (6350.3 Kg.)



FIRST CLASS
BUILDING PRODUCTS
 888-514-8141

		DIMENSIONS ARE IN INCHES TOLERANCES: FRACTIONAL $\pm 1/8$ " ANGULAR: MACH \pm BEND \pm TWO PLACE DECIMAL \pm THREE PLACE DECIMAL \pm	NAME	DATE	©COPYRIGHT 10" x 12' TUSCAN NON-TAPERED COLUMN ASSEMBLY	
			DRAWN	SOF		05/05/08
			CHECKED	RK		
			ENG APPR.	RK		
			MFG APPR.	RK		
		MATERIAL	Q.A.	RK		
		FINISH	COMMENTS:			
NEXT ASSY	USED ON				SIZE	
APPLICATION	DO NOT SCALE DRAWING				DWG. NO.	
					REV. 02	
					SCALE: 1:15	
					SHEET 1 OF 1	