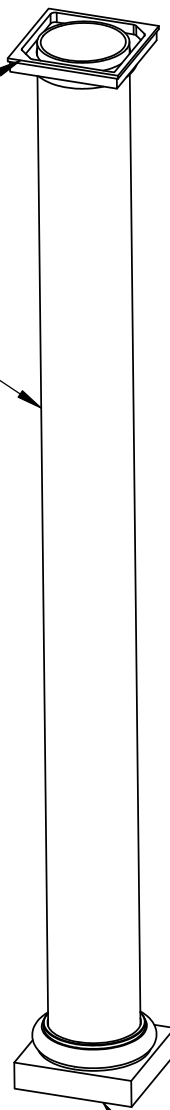
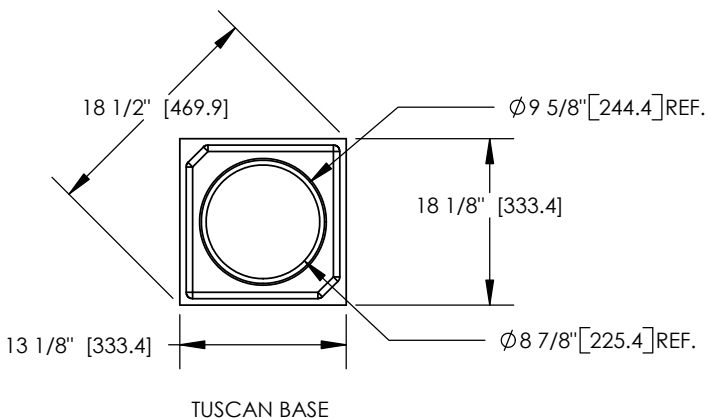
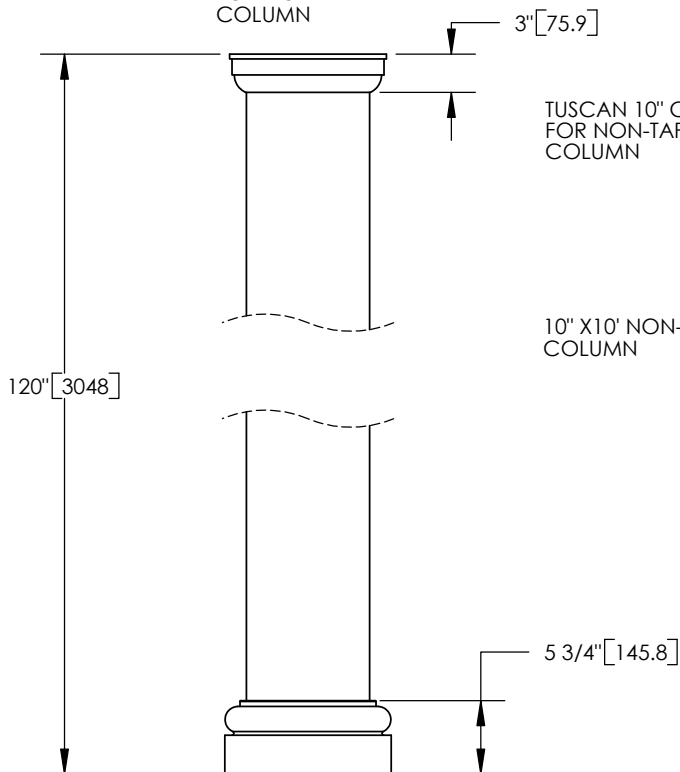


- NOTES:
1. DIMENSIONS WITHIN THE PARENTHESES ARE METRIC UNITS (millimeters) OR (Kg=Kilograms)
 2. MATERIAL: FIBERGLASS REINFORCED POLYMER (FRP)
 3. WEIGHT. COLUMN: 113Lb. (51.2 Kg)
CAP: 8Lb. (3.6 Kg.)
BASE: 15Lb. (6.8 Kg.)
 4. MATERIAL THICKNESS: 3/8" (9.5)
 5. MAXIMUM LOAD BEARING LIMITS: 14000 Lb. (6350.3 Kg.)



**FIRST CLASS
BUILDING PRODUCTS**

888-514-8141

		DIMENSIONS ARE IN INCHES TOLERANCES: FRACTIONAL $\pm 1/8$ " ANGULAR: MACH \pm BEND \pm TWO PLACE DECIMAL \pm THREE PLACE DECIMAL \pm	NAME	DATE	©COPYRIGHT 10" x 10' TUSCAN NON-TAPERED COLUMN ASSEMBLY	
			DRAWN	SOF		05/05/08
			CHECKED	RK		
			ENG APPR.	RK		
			MFG APPR.	RK		
		MATERIAL	Q.A.	RK		
		FINISH DO NOT SCALE DRAWING	COMMENTS:			
NEXT ASSY	USED ON					
APPLICATION						
			SIZE	DWG. NO.	REV.	
			A		02	
			SCALE: 1:15		SHEET 1 OF 1	