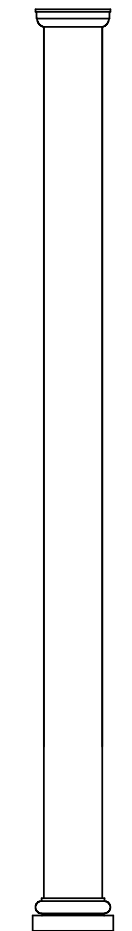
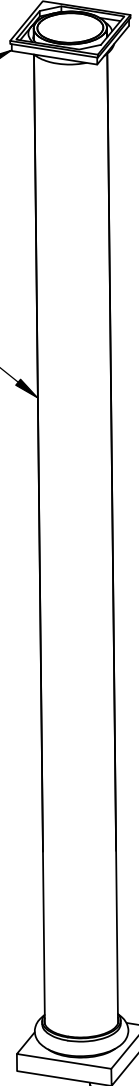
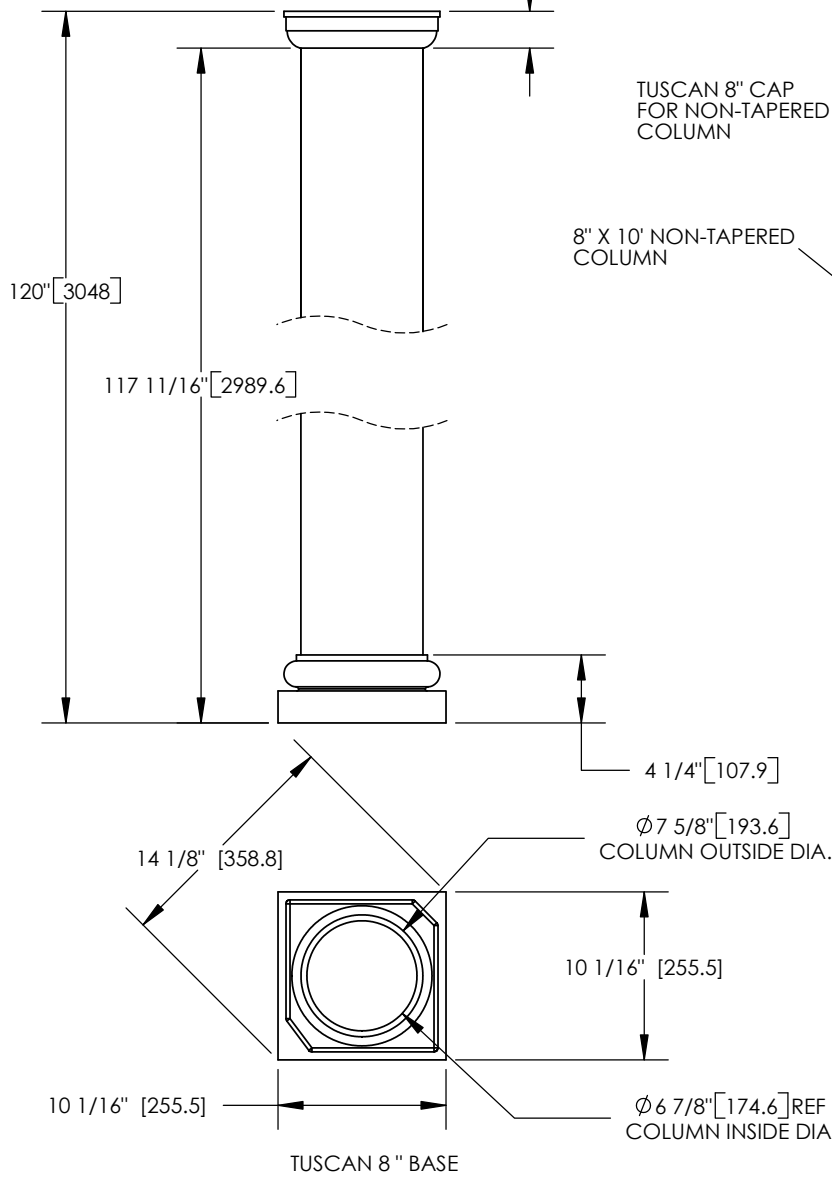


NOTES:

1. DIMENSIONS WITHIN THE PARENTHESES ARE METRIC UNITS (millimeters) OR (Kg=Kilograms)
2. MATERIAL: FIBERGLASS REINFORCED POLYMER (FRP)
3. WEIGHT. COLUMN: 73Lb. (33.1 Kg)
CAP: 5Lb. (2.3 Kg.)
BASE: 7Lb. (3.2 Kg.)
4. MATERIAL THICKNESS: 3/8" (9.5)
5. MAXIMUM LOAD BEARING LIMITS: 10,000 Lb. (4535.9 Kg.)



ARCHITECTURAL
VIEW
SCALE: 1/25

**FIRST CLASS
BUILDING PRODUCTS**

888-514-8141

		DIMENSIONS ARE IN INCHES TOLERANCES: FRACTIONAL $\pm 1/8$ " ANGULAR: MACH \pm BEND \pm TWO PLACE DECIMAL \pm THREE PLACE DECIMAL \pm	NAME	DATE	©COPYRIGHT 8" x 10' TUSCAN NON-TAPERED COLUMN ASSEMBLY
			DRAWN	SOF 05/05/08	
			CHECKED	RK	
			ENG APPR.	RK	
			MFG APPR.	RK	
		MATERIAL	Q.A.	RK	
		FINISH	COMMENTS:		
NEXT ASSY	USED ON				SIZE
					DWG. NO.
APPLICATION	DO NOT SCALE DRAWING				REV.
					02
					SCALE: 1:12
					SHEET 1 OF 1