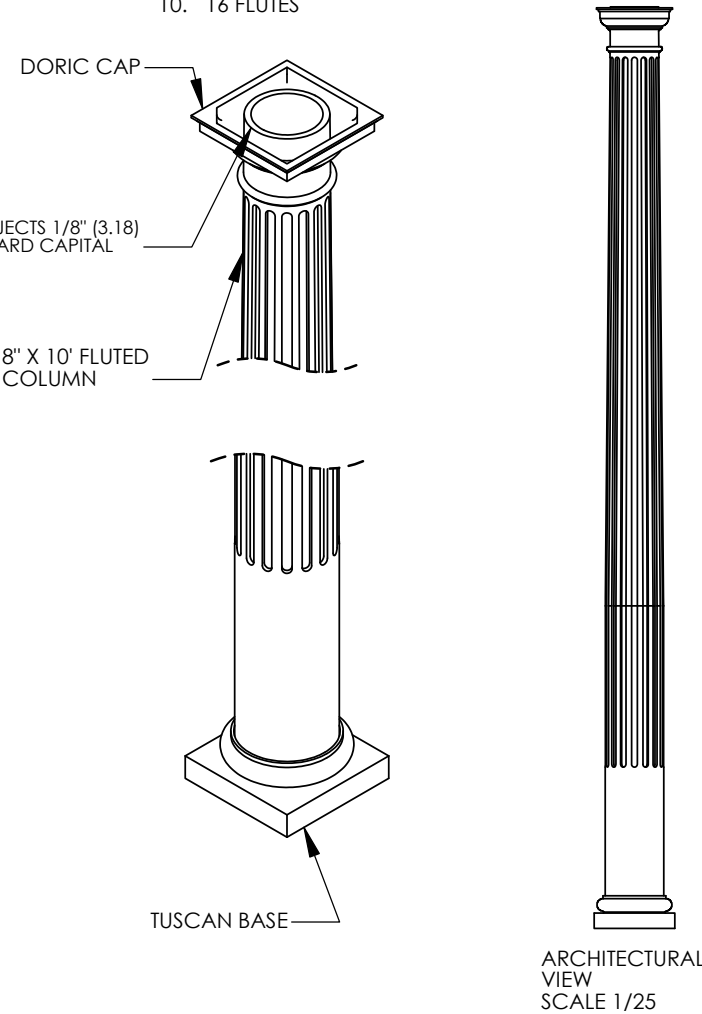


- NOTES:
1. DIMENSIONS WITHIN THE PARENTHESES ARE METRIC UNITS (millimeters) or (Kg=Kilograms)
  2. MATERIAL: FIBERGLASS REINFORCED POLYMER (FRP)
  3. WEIGHT. COLUMN: 75 Lb. (34.0 Kg)  
CAP: 5 Lb. (2.3 Kg)  
BASE: 7 Lb. (3.2 Kg)
  4. MATERIAL THICKNESS. COLUMN: 3/8" (9.5)
  5. INSIDE DIAMETER AT TOP OF COLUMN: 5 1/2" (139.7)
  6. OUTSIDE DIAMETER AT TOP OF COLUMN: 6.0" (152.4)
  7. INSIDE DIAMETER AT BOTTOM OF COLUMN: 6 5/8" (168.3)
  8. OUTSIDE DIAMETER AT BOTTOM OF COLUMN: 7 1/2" (190.5)
  9. TAPER STARTS 42" (1066.8) FROM BOTTOM OF COLUMN.
  10. 16 FLUTES



**FIRST CLASS BUILDING PRODUCTS**  
888-514-8141

		DIMENSIONS ARE IN INCHES (mm) TOLERANCES: FRACTIONAL: ± 1/8" ANGULAR: MACH ± BEND ± TWO PLACE DECIMAL ± THREE PLACE DECIMAL ±		NAME	DATE	© COPYRIGHT <b>8' X 10' FLUTED COLUMN W/ DORIC CAP &amp; TUSCAN BASE ASSEMBLY</b>
		MATERIAL	DRAWN	SOF	05/05/08	
		FINISH	CHECKED	RK		
NEXT ASSY		USED ON	ENG APPR.	RK		
APPLICATION		DO NOT SCALE DRAWING	MFG APPR.	RK		
			COMMENTS:	Q.A.	RK	SIZE DWG. NO.
						REV. 02
						SCALE: 1/14 WEIGHT: SHEET 1 OF 1