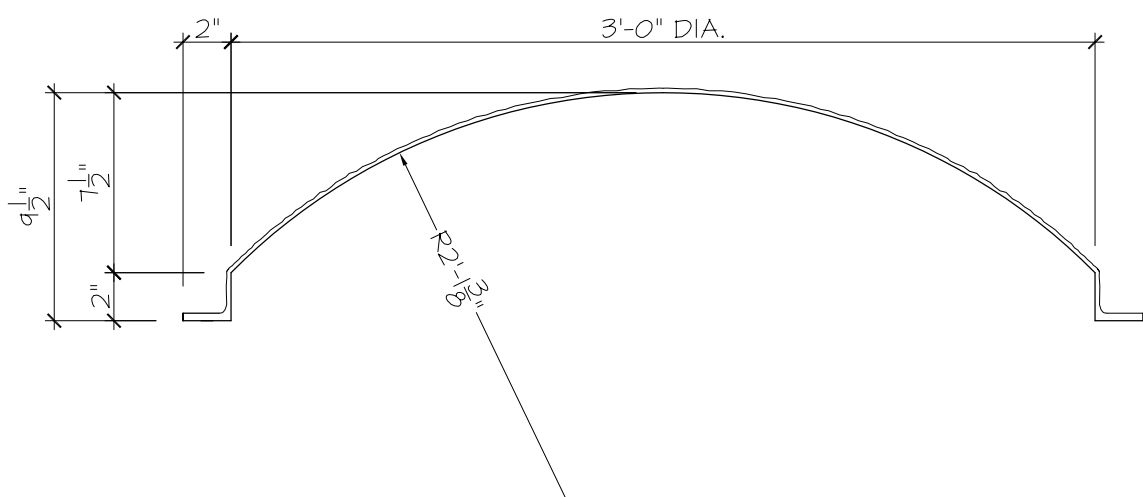
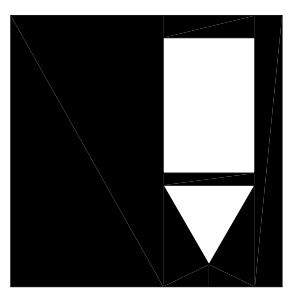


1A REFLECTED PLAN VIEW
SCALE : 1" = 1'-0"



1B DETAIL SECTION
SCALE : 1-1/2" = 1'-0"



**FIRST CLASS
BUILDING
PRODUCTS**

3600 DALLAS HWY
SUITE #230-387
MARIETTA, GA 30064
Phone 770.514.8141
Fax 770.514.0731

PROJECT: FIRST CLASS		SHEET NO. D3695
BUILDING PRODUCTS		
JOB NO:		
TITLE: GFRP DOME		PAGE OF
TITLE: 3'-0" DIAMETER		
SCALE: AS SHOWN	DRAWN BY: --	